

* THE MATERIAL HEREIN IS FOR INFORMATION PURPOSES ONLY AND IS SUBJECT TO CHANGE WITHOUT NOTICE. DIGITAL EQUIPMENT CORPORATION ASSUMES NO RESPONSIBILITY FOR ANY ERRORS WHICH MAY APPEAR HEREIN.

FIELD MAINTENANCE PRINT SET

* THIS DRAWING AND SPECIFICATIONS, HEREIN, ARE THE PROPERTY OF DIGITAL EQUIPMENT CORPORATION AND SHALL NOT BE REPRODUCED OR COPIED OR USED IN WHOLE OR IN PART AS THE BASIS FOR THE MANUFACTURE OR SALE OF ITEMS WITHOUT WRITTEN PERMISSION. COPYRIGHT © 1987

TABLE OF CONTENTS

B-TC-DEPCA-0-DBU	DEPCA UNIT ASSEMBLY (TC)
B-DD-DEPCA-0-DBU	DEPCA UNIT ASSEMBLY (DD ONLY)
K-PL-DEPCA-0-DBP	DEPCA UNIT ASSEMBLY (PL)
B-DD-7024252-0-DBU	DEPCA MODULE ASSY
D-AD-7024252-0-DBU	DEPCA MODULE ASSY
K-PL-7024252-0-DBP	DEPCA MODULE ASSY (PL)
K-DD-5416999-0-0	DEPCA (DD ONLY)
K-PL-5416999-0-DBP	DEPCA PARTS LIST
D-UA-5416999-0-0	DEPCA UNIT ASSY
K-CS-5416999-0-1	DEPCA SCHEMATIC
B-BD-5416999-0-2	DEPCA BLOCK DIAGRAM
B-FD-5416999-0-3	DEPCA FLOW DIAGRAM
K-CS-5416999-0-DBX	VAILD SCHEMATIC DATABASE
K-PC-5416999-0-DBJ	P.C.DATA BASE

UNIT VARIATIONS COVERED BY THIS PRINT SET
DEPCA-AA
DEPCA-AU
DEPCA-BA
DEPCA-KA
DEPCA-KC
DEPCA-KD
DEPCA-KE
DEPCA-KF
DEPCA-KG
DEPCA-KI
DEPCA-KK
DEPCA-KL
DEPCA-KM
DEPCA-KN
DEPCA-KP
DEPCA-KS
DEPCA-KT

**DEPCA
FIELD MAINTENANCE
PRINT SET**

DIGITAL EQUIPMENT CORPORATION

PRINT SET PART
NUMBER MP-02421-01
REV A1

FILE NAME: TC-DEPCA-0-DBUA

REVISION HISTORY	DATE	ECO NUMBER	REV.	INITIAL

DRN. PAUL GAGNE	DATE 31-DEC-86	TITLE	DIGITAL
CHK'D D. HEALY	DATE 18-MAY-87	DEPCA UNIT ASSEMBLY	
DES. ENG. D. NELSON	DATE 18-MAY-87		
RESP. ENG. D. NELSON	DATE 18-MAY-87		
FIELD SERVICE G. TEBO	DATE 18-MAY-87	SIZE CODE B TC	NUMBER DEPCA-0-DBU
TOP DOC. B-DD-DEPCA-0-DBU		REV. A	SHEET 1 OF 1

REV. A
NUMBER DEPCA-0-DBU
SIZE CODE B TC

DRAWING NO.	NO. OF SHTS.	PAR. NO.	DESCRIPTION	REVISIONS																		
				A1	A1	A1	B1	B1	B1													
		DEPCA-AA	DEPCA THIN WIRE KIT	A1	A1	A1	B1	B1	B1													
		DEPCA-AU	DEPCA AUJ OPTION	A1	A1	A1	A1	A1	A1													
		DEPCA-BA	DEPCA THINWIRE KIT WITH LICENSE	A1	A2	A3	B3	B4	B4													
		DEPCA-KA	DEPCA NETWORK INTERG. KIT/ ENG	A1	A2	A3	B3	B4	B5													
		DEPCA-KC	DEPCA NETWORK INTERG. KIT/ FR/CAN	A1	A2	A3	B3	B4	B5													
		DEPCA-KD	DEPCA NETWORK INTERG. KIT/ DAN.	A1	A2	A3	B3	B4	B5													
		DEPCA-KE	DEPCA NETWORK INTERG. KIT/ FR/E./CN	A1	A2	A3	B3	B4	B5													
		DEPCA-KF	DEPCA NETWORK INTERG. KIT/ FIN	A1	A2	A3	B3	B4	B5													
		DEPCA-KG	DEPCA NETWORK INTERG. KIT/ GERM	A1	A2	A3	B3	B4	B5													
		DEPCA-KI	DEPCA NETWORK INTERG. KIT/ ITAL	A1	A2	A3	B3	B4	B5													
		DEPCA-KK	DEPCA NETWORK INTERG. KIT/ SW/FR	A1	A2	A3	B3	B4	B5													
		DEPCA-KL	DEPCA NETWORK INTERG. KIT/ SW/GER	A1	A2	A3	B3	B4	B5													
		DEPCA-KM	DEPCA NETWORK INTERG. KIT/ SW/CD	A1	A2	A3	B3	B4	B5													
		DEPCA-KN	DEPCA NETWORK INTERG. KIT/ NORW	A1	A2	A3	B3	B4	B5													
		DEPCA-KP	DEPCA NETWORK INTERG. KIT/ FR	A1	A2	A3	B3	B4	B5													
		DEPCA-KS	DEPCA NETWORK INTERG. KIT/ SPAN	A1	A2	A3	B3	B4	B5													
		DEPCA-KT	DEPCA NETWORK INTERG. KIT/ HEBR.	A1	A2	A3	B3	B4	B5													
K-PL-DEPCA-0-DBP	2		DEPCA UNIT ASSEMBLY (PL)	A	B	C	D	E	F													
B-TC-DEPCA-0-DBU	1		DEPCA UNIT ASSEMBLY (TC)	A	A	A	A	A	A													
		MP-02421-01	PRINT SET, DEPCA (MP)	REF	REF	REF	REF	REF	REF													

NOTES:

FILE NAME: DD-DEPCA-0-DBUF

REVISION HISTORY		REV.	A	B	C	D	E	F
DATE	ECO NO.							
	INITIAL	A						
3AUG87	DEPCA-0-MLO01	B						
23APR88	DEPCA-0-MLO02	C						
11JAN89	DEPCA-0-MLO03	D						
17FEB89	DEPCA-MLO04	E						
BJAN90	DEPCA-MLO05	F						

THIS DRAWING AND THE SPECIFICATIONS CONTAINED HEREIN ARE CONFIDENTIAL AND PROPRIETARY. THEY ARE THE PROPERTY OF DIGITAL EQUIPMENT CORPORATION AND SHALL NOT BE REPRODUCED OR COPIED OR USED IN WHOLE OR IN PART AS THE BASIS FOR THE MANUFACTURE OR SALE OF ITEMS WITHOUT WRITTEN PERMISSION. THIS IS AN UNPUBLISHED WORK PROTECTED UNDER THE FEDERAL COPYRIGHT LAWS.



DRN.	PAUL GAGNE	DATE	31-DEC-86
CHK'D	D. HEALY	DATE	18-MAY-87
DES. ENG.	D. NELSON	DATE	18-MAY-87
RESP. ENG.	D. NELSON	DATE	18-MAY-87
MFG. ENG.	R. CRUZ	DATE	18-MAY-87

TITLE			
DEPCA UNIT ASSEMBLY			
SIZE	CODE	NUMBER	REV
B	DD	DEPCA-0-DBU	F
SHEET 1 OF 2			

REV. F	DEPCA-0-DBU NUMBER	B DD SIZE CODE
--------	-----------------------	-------------------

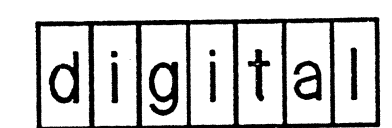
DRAWING NO.	NO. OF SHTS.	PART NO.	DESCRIPTION	REVISIONS											
				-	-	A1	B1	B2	B2						
		DEPCA-RA	DESVA-AA, DEPCA-KA-DEPCA-BA	-	-	A1	B1	B2	B2						
		DEPCA-SA	DEPCA-KA-BA, QZD04-UZ	-	-	A1	B1	B2	B2						
		DEPCA-CA	DEPCA-BA, VSXXX-AA	-	-		B1	B1	B1						
		DEPCA-PA	DEPCA, DECSTART PACKAGE	-	-		B1	B1	B1						
		DEPCA-RB	DEPCA-BA, LIC	-	-		B1	B1	B1						
		DEPCA-SB	DEPCA-BA, LIC	-	-		B1	B1	B1						

NOTES:

FILE NAME: DD-DEPCA-0-DBUF

REVISION HISTORY		REV.	C	D	E	F									
DATE	ECO NO.														
23APR88	DEPCA-0-ML002														
13JAN89	DEPCA-0-ML003														
16FEB89	DEPCA-0-ML004														
BJAN90	DEPCA-0-ML005														

THIS DRAWING AND THE SPECIFICATIONS CONTAINED HEREIN ARE CONFIDENTIAL AND PROPRIETARY. THEY ARE THE PROPERTY OF DIGITAL EQUIPMENT CORPORATION AND SHALL NOT BE REPRODUCED OR COPIED OR USED IN WHOLE OR IN PART AS THE BASIS FOR THE MANUFACTURE OR SALE OF ITEMS WITHOUT WRITTEN PERMISSION. THIS IS AN UNPUBLISHED WORK PROTECTED UNDER THE FEDERAL COPYRIGHT LAWS.



DRN.	PAUL GAGNE	DATE	31-DEC-86
CHK'D	D. HEALY	DATE	18-MAY-87
DES. ENG.	D. NELSON	DATE	18-MAY-87
RESP. ENG.	D. NELSON	DATE	18-MAY-87
MFG. ENG.	R. CRUZ	DATE	18-MAY-87

TITLE			
DEPCA UNIT ASSEMBLY			
SIZE CODE	NUMBER	REV.	
B DD	DEPCA-0-DBU	F	
SHEET 2 OF 2			

LINE	ITEM	TOP DOCUMENT	PART NUMBER	MIN REV	DESCRIPTION	AA	AU	QUANTITY		PER VARIATION/REVISION						KG
						B01	A01	BA B04	CA B01	KA B05	KC B05	KD B05	KE B05	KF B05	B05	
1	1	B-DD-7024252-0-DBU	70-24252-01	E	DEPCA,MODULE,ASSY	1	-	1	1	1	1	1	1	1	1	1
2	2	A-PS-1701491-0-0	17-01491-01		CABLE ASSY,16 COND,FLAT,28AWG,15PD	-	1	-	-	-	-	-	-	-	-	-
3	3	A-PS-1700612-0-0	7-00612-05		CABLE ASSY,08 COND,MOLDED,SHIELD,1	-	1	-	-	-	-	-	-	-	-	-
4	4	SEE NOTE 2	EK-DEPCA-0M		DEPCA OWNERS MANUAL	1	-	1	1	1	1	1	1	1	1	1
5	5		BC16T-12		BC16M-12,H8223 T-CONNECTOR,H8225 T	1	-	1	1	1	1	1	1	1	1	1
6	6	A-PA-3700950-0-0	37-00950-01		PKG DEPCA-AA/AX & BA/BX OPTION	1	-	1	1	-	-	-	-	-	-	-
7	7	K-DD-LK250-0-0	LK250-AA	C	*** THIS ITEM IS NOT USED ***	-	-	-	-	-	-	-	-	-	-	-
8	8	K-DD-LK250-0-0	LK250-AC	C	*** THIS ITEM IS NOT USED ***	-	-	-	-	-	-	-	-	-	-	-
9	9	K-DD-LK250-0-0	LK250-AD	C	*** THIS ITEM IS NOT USED ***	-	-	-	-	-	-	-	-	-	-	-
10	10	K-DD-LK250-0-0	LK250-ED	C	*** THIS ITEM IS NOT USED ***	-	-	-	-	-	-	-	-	-	-	-
11	11	K-DD-LK250-0-0	LK250-AF	C	*** THIS ITEM IS NOT USED ***	-	-	-	-	-	-	-	-	-	-	-
12	12	K-DD-LK250-0-0	LK250-AG	C	*** THIS ITEM IS NOT USED ***	-	-	-	-	-	-	-	-	-	-	-
13	13	K-DD-LK250-0-0	LK250-AI	C	*** THIS ITEM IS NOT USED ***	-	-	-	-	-	-	-	-	-	-	-
14	14	K-DD-LK250-0-0	LK250-AK	C	*** THIS ITEM IS NOT USED ***	-	-	-	-	-	-	-	-	-	-	-
15	15	K-DD-LK250-0-0	LK250-AL	C	*** THIS ITEM IS NOT USED ***	-	-	-	-	-	-	-	-	-	-	-
16	16	K-DD-LK250-0-0	LK250-AM	C	*** THIS ITEM IS NOT USED ***	-	-	-	-	-	-	-	-	-	-	-
17	17	K-DD-LK250-0-0	LK250-AN	C	*** THIS ITEM IS NOT USED ***	-	-	-	-	-	-	-	-	-	-	-
18	18	K-DD-LK250-0-0	LK250-AP	C	*** THIS ITEM IS NOT USED ***	-	-	-	-	-	-	-	-	-	-	-
19	19	K-DD-LK250-0-0	LK250-AS	C	*** THIS ITEM IS NOT USED ***	-	-	-	-	-	-	-	-	-	-	-
20	20	K-DD-LK250-0-0	LK250-AT	C	*** THIS ITEM IS NOT USED ***	-	-	-	-	-	-	-	-	-	-	-
21	21		EK-DEPCA-UG		*** THIS ITEM IS NOT USED ***	-	-	-	-	-	-	-	-	-	-	-
22	22	K-PL-VSXXX-0-DBP	VSXXX-AA		3 BUTTON SERIAL MOUSE WITH 5 FT CA	-	-	-	-	1	1	1	1	1	1	1
23	23	A-PA-3700950-0-0	37-00950-05		PKG DEPCA KA/KX OPTION (CUST)	-	-	-	-	1	1	1	1	1	1	1
24	24	A-PS-1701517-0-0	17-01517-02		*** THIS ITEM IS NOT USED ***	-	-	-	-	-	-	-	-	-	-	-
25	25	K-PA-3700950-0-0	37-00950-06		PKG CONTROLLER DEPCA-AU	-	1	-	-	-	-	-	-	-	-	-
26	26	SEE NOTE 1	QBZF7-UZ		*** THIS ITEM IS NOT USED ***	-	-	-	-	-	-	-	-	-	-	-
27	27	SEE NOTE 1	QVA05-UZ		*** THIS ITEM IS NOT USED ***	-	-	-	-	-	-	-	-	-	-	-
28	28		QGEL1-UZ		*** THIS ITEM IS NOT USED ***	-	-	-	-	-	-	-	-	-	-	-
29	29		EK-DEPIT-UG		*** THIS ITEM IS NOT USED ***	-	-	-	-	-	-	-	-	-	-	-
30	30				*** THIS ITEM IS NOT USED ***	-	-	-	-	-	-	-	-	-	-	-

REVISION HISTORY		KPL MATRIX, FORMAT		SECTION A OF C	DRN: PAUL GAGNE	DIGITAL			
ENG:	ECO NUMBER	REV	SECTION/VARIATION INDEX		DATE: 30-DEC-86	TITLE PARTS LIST			
---	INITIAL	A	[A]	AA, AU, BA, CA, KA, KC, KD, KE, KF, KG	CHK'D: D. HEALY	DEPCA UNIT ASSEMBLY			
DN	DEPCA-ML001	B	[B]	KI, KK, KL, KM, KN, KP, KS, KT, PA, RA	DATE: 18-MAY-87				
DN	DEPCA-ML002	C	[C]	RB, SA, SB	DES. ENG: D. NELSON				
DN	DEPCA-ML003	D	[D]		DATE: 18-MAY-87	DOCUMENT NUMBER			
DN	DEPCA-ML004	E	[E]		RESP. ENG.: D. NELSON	SIZE: K	CODE: PL	NUMBER: DEPCA-0-DBP	REV: F
DN	DEPCA-ML005	F	[F]		DATE: 18-MAY-87				
			[H]		MFG. ENG: R. CRUZ	RELEASE DATE: 07-FEB-90			
			[J]		DATE: 18-MAY-87	RELEASE STATUS: RELEASED			
		BASIC PART NUMBER:		ASSEMBLY NUMBER:	TOP DOCUMENT NUMBER:		EDIT #		
		DEPCA			B-DD-DEPCA-0-DBU		2		
FILE NAME: MLA1070F.PLS									

"THIS DRAWING AND THE SPECIFICATIONS CONTAINED HEREIN ARE CONFIDENTIAL AND PROPRIETARY. THEY ARE THE PROPERTY OF DIGITAL EQUIPMENT CORPORATION AND SHALL NOT BE REPRODUCED OR COPIED OR USED IN WHOLE OR IN PART AS THE BASIS FOR THE MANUFACTURE OR SALE OF ITEMS WITHOUT WRITTEN PERMISSION. THIS IS AN UNPUBLISHED WORK PROTECTED UNDER THE FEDERAL COPYRIGHT LAWS."

AUTOMATED BY VAXKPL (V2.1)

OWNER: PKO

PARTS LIST

SHEET A2 OF A2 PAGE 2 OF 6
 QUANTITY PER VARIATION/REVISION
 AA AU BA CA KA KC KD KE KF KG
 B01 A01 B04 B01 B05 B05 B05 B05 B05 B05

LINE	ITEM	TOP DOCUMENT	PART NUMBER	MIN REV	DESCRIPTION	AA B01	AU A01	BA B04	CA B01	KA B05	KC B05	KD B05	KE B05	KF B05	KG B05
31	31		EK-DEPFR-UG		*** THIS ITEM IS NOT USED ***	-	-	-	-	-	-	-	-	-	-
32	32		CBZP3-UZ A		*** THIS ITEM IS NOT USED ***	-	-	-	-	-	-	-	-	-	-
33	33		DEPCA-KA A		ENGLISH NETWORK INTEGRATION PKG FO	-	-	-	-	-	-	-	-	-	-
34	34		DEPCA-BA A		THINWIRE ETHERNET/MOUSE BOARD W/LI	-	-	-	-	-	-	-	-	-	-
35	35		DESVA-AA A		VS400 ETHERNET CNTRL BRD W/THINWIR	-	-	-	-	-	-	-	-	-	-
36	36		Q3D04-UZ A		*** THIS ITEM IS NOT USED ***	-	-	-	-	-	-	-	-	-	-
37	37		QZD04-UZ A		*** THIS ITEM IS NOT USED ***	-	-	-	-	-	-	-	-	-	-
38	38	SEE NOTE 1	QL-OTLA9-AA A		DECNET PCSA CLNT DOS LICENSE	-	-	1	1	1	1	1	1	1	1
39	39		QA-A93AA-H5 A		VMS SVC FOR PCS TK50	-	-	-	-	-	-	-	-	-	-
40	40		QA-OTLAA-H5 A		DECNET PCSA CLNT DOS TK5	-	-	-	-	-	-	-	-	-	-
41	41	SEE NOTE 1	QS938-SZ A		PCSA DECSTART SERVICES/VAX	-	-	-	-	-	-	-	-	-	-
42	42	SEE NOTE 1	QL-D04AP-AA A		DECNET-VAX E/N LIC W/WARR	-	-	-	-	-	-	-	-	-	-
43	43	SEE NOTE 1	QL-D04AN-AA A		DECNET-VAX ENON LIC W/WARR	-	-	-	-	-	-	-	-	-	-
44	44		LK250-CA A		LK250 KYBD W/BCC37-06 PC/AT CABLE,	-	-	-	-	1	-	-	-	-	-
45	45		LK250-CC A		LK250 KYBD W/BCC37-06 PC/AT CABLE,	-	-	-	-	-	1	-	-	-	-
46	46		LK250-CD A		LK250 KYBD W/BCC37-06 PC/AT CABLE,	-	-	-	-	-	-	1	-	-	-
47	47		LK250-CQ A		LK250 KYBD W/BCC37-06 PC/AT CABLE,	-	-	-	-	-	-	-	1	-	-
48	48		LK250-CF A		LK250 KYBD W/BCC37-06 PC/AT CABLE,	-	-	-	-	-	-	-	-	1	-
49	49		LK250-CG A		LK250 KYBD W/BCC37-06 PC/AT CABLE,	-	-	-	-	-	-	-	-	-	-
50	50		LK250-CI A		LK250 KYBD W/BCC37-06 PC/AT CABLE,	-	-	-	-	-	-	-	-	-	-
51	51		LK250-CK A		LK250 KYBD W/BCC37-06 PC/AT CABLE,	-	-	-	-	-	-	-	-	-	-
52	52		LK250-CL A		LK250 KYBD W/BCC37-06 PC/AT CABLE,	-	-	-	-	-	-	-	-	-	-
53	53		LK250-CM A		LK250 KYBD W/BCC37-06 PC/AT CABLE,	-	-	-	-	-	-	-	-	-	-
54	54		LK250-CN A		LK250 KYBD W/BCC37-06 PC/AT CABLE,	-	-	-	-	-	-	-	-	-	-
55	55		LK250-CP A		LK250 KYBD W/BCC37-06 PC/AT CABLE,	-	-	-	-	-	-	-	-	-	-
56	56		LK250-CS A		LK250 KYBD W/BCC37-06 PC/AT CABLE,	-	-	-	-	-	-	-	-	-	-
57	57		LK250-CT A		LK250 KYBD W/BCC37-06 PC/AT CABLE,	-	-	-	-	-	-	-	-	-	-

1 GEN: FOR US AND GIA SHIPMENTS, ITEMS 38 AND 41-43 DO NOT REPRESENT PHYSICAL COMPONENTS, AND WILL NOT APPEAR ON THE MFG. BOM.
 2 GEN: MINIMUM PART REVISION FOR ITEM 4 EK-DEPCA-OM IS 002.

D	I	G	I	T	A	L	TITLE	SECTION A OF C	SIZE	CODE	DOCUMENT NUMBER	REV
							DEPCA UNIT ASSEMBLY		K	PL	DEPCA-0-DBP	F

LINE ITEM TOP DOCUMENT

PART NUMBER

MIN REV

DESCRIPTION

KI B05

KK B05

KL B05

KM B05

KN B05

KP B05

KS B05

KT B05

PA B01

RA B02

1	1	B-DD-7024252-0-DBU	70-24252-01	E	DEPCA,MODULE,ASSY	1	1	1	1	1	1	1	1	-	-
2	2	A-PS-1701491-0-0	17-01491-01		CABLE ASSY,16 COND,FLAT,28AWG,15PD	-	-	-	-	-	-	-	-	-	-
3	3	A-PS-1700612-0-0	17-00612-05		CABLE ASSY,08 COND,MOLDED,SHIELD,1	-	-	-	-	-	-	-	-	-	-
4	4	SEE NOTE 2	EK-DEPCA-0M		DEPCA OWNERS MANUAL	1	1	1	1	1	1	1	1	-	-
5	5		BC16T-12		BC16M-12,H8223 T-CONNECTOR,H8225 T	1	1	1	1	1	1	1	1	-	-
6	6	A-PA-3700950-0-0	37-00950-01		PKG DEPCA-AA/AX & BA/BX OPTION	-	-	-	-	-	-	-	-	-	-
7	7	K-DD-LK250-0-0	LK250-AA	C	*** THIS ITEM IS NOT USED ***	-	-	-	-	-	-	-	-	-	-
8	8	K-DD-LK250-0-0	LK250-AC	C	*** THIS ITEM IS NOT USED ***	-	-	-	-	-	-	-	-	-	-
9	9	K-DD-LK250-0-0	LK250-AD	C	*** THIS ITEM IS NOT USED ***	-	-	-	-	-	-	-	-	-	-
10	10	K-DD-LK250-0-0	LK250-ED	C	*** THIS ITEM IS NOT USED ***	-	-	-	-	-	-	-	-	-	-
11	11	K-DD-LK250-0-0	LK250-AF	C	*** THIS ITEM IS NOT USED ***	-	-	-	-	-	-	-	-	-	-
12	12	K-DD-LK250-0-0	LK250-AG	C	*** THIS ITEM IS NOT USED ***	-	-	-	-	-	-	-	-	-	-
13	13	K-DD-LK250-0-0	LK250-AI	C	*** THIS ITEM IS NOT USED ***	-	-	-	-	-	-	-	-	-	-
14	14	K-DD-LK250-0-0	LK250-AK	C	*** THIS ITEM IS NOT USED ***	-	-	-	-	-	-	-	-	-	-
15	15	K-DD-LK250-0-0	LK250-AL	C	*** THIS ITEM IS NOT USED ***	-	-	-	-	-	-	-	-	-	-
16	16	K-DD-LK250-0-0	LK250-AM	C	*** THIS ITEM IS NOT USED ***	-	-	-	-	-	-	-	-	-	-
17	17	K-DD-LK250-0-0	LK250-AN	C	*** THIS ITEM IS NOT USED ***	-	-	-	-	-	-	-	-	-	-
18	18	K-DD-LK250-0-0	LK250-AP	C	*** THIS ITEM IS NOT USED ***	-	-	-	-	-	-	-	-	-	-
19	19	K-DD-LK250-0-0	LK250-AS	C	*** THIS ITEM IS NOT USED ***	-	-	-	-	-	-	-	-	-	-
20	20	K-DD-LK250-0-0	LK250-AT	C	*** THIS ITEM IS NOT USED ***	-	-	-	-	-	-	-	-	-	-
21	21		EK-DEPCA-UG		*** THIS ITEM IS NOT USED ***	-	-	-	-	-	-	-	-	-	-
22	22	K-PL-VSXXX-0-DBP	VSXXX-AA		3 BUTTON SERIAL MOUSE WITH 5 FT CA	1	1	1	1	1	1	1	1	1	-
23	23	A-PA-3700950-0-0	37-00950-05		PKG DEPCA KA/KX OPTION (CUST)	1	1	1	1	1	1	1	1	-	-
24	24	A-PS-1701517-0-0	17-01517-02		*** THIS ITEM IS NOT USED ***	-	-	-	-	-	-	-	-	-	-
25	25	K-PA-3700950-0-0	37-00950-06		PKG CONTROLER DEPCA-AU	-	-	-	-	-	-	-	-	-	-
26	26	SEE NOTE 1	QBZF7-UZ		*** THIS ITEM IS NOT USED ***	-	-	-	-	-	-	-	-	-	-
27	27	SEE NOTE 1	QVA05-UZ		*** THIS ITEM IS NOT USED ***	-	-	-	-	-	-	-	-	-	-
28	28		QGEL1-UZ		*** THIS ITEM IS NOT USED ***	-	-	-	-	-	-	-	-	-	-
29	29		EK-DEPIT-UG		*** THIS ITEM IS NOT USED ***	-	-	-	-	-	-	-	-	-	-
30	30				*** THIS ITEM IS NOT USED ***	-	-	-	-	-	-	-	-	-	-

REVISION HISTORY		KPL MATRIX FORMAT		SECTION B OF C		DRN: PAUL GAGNE		DIGITAL	
						DATE: 30-DEC-86			
ENG	ECO NUMBER	REV	SECTION/VARIATION INDEX			CHK'D: D. HEALY		TITLE PARTS LIST	
---	INITIAL	A	[A] AA,AU,BA,CA,KA,KC,KD,KE,KF,KG			DATE: 18-MAY-87		DEPCA UNIT ASSEMBLY	
DN	DEPCA-ML001	B	[B] KI,KK,KL,KM,KN,KP,KS,KT,PA,RA			DES.ENG: D. NELSON		DOCUMENT NUMBER	
DN	DEPCA-ML002	C	[C] RB,SA,SB			DATE: 18-MAY-87		SIZE CODE NUMBER REV	
DN	DEPCA-ML003	D	[D]			RESP.ENG.: D. NELSON		K PL DEPCA-0-DBP F	
DN	DEPCA-ML004	E	[E]			DATE: 18-MAY-87		RELEASE DATE: 07-FEB-90	
DN	DEPCA-ML005	F	[F]			MFG.ENG: R. CRUZ		RELEASE STATUS: RELEASED	
			[H]			DATE: 18-MAY-87			
			[J]						
BASIC PART NUMBER:			ASSEMBLY NUMBER:			TOP DOCUMENT NUMBER:			EDIT #
DEPCA						B-DD-DEPCA-0-DBU			2
FILE NAME: MLA1070F.PLS									

"THIS DRAWING AND THE SPECIFICATIONS CONTAINED HEREIN ARE CONFIDENTIAL AND PROPRIETARY. THEY ARE THE PROPERTY OF DIGITAL EQUIPMENT CORPORATION AND SHALL NOT BE REPRODUCED OR COPIED OR USED IN WHOLE OR IN PART AS THE BASIS FOR THE MANUFACTURE OR SALE OF ITEMS WITHOUT WRITTEN PERMISSION. THIS IS AN UNPUBLISHED WORK PROTECTED UNDER THE FEDERAL COPYRIGHT LAWS."

AUTOMATED BY VAXKPL (V2.1)

OWNER: PKO
MIN REV

PARTS LIST

SHEET B2 OF B2 PAGE 4 OF 6
QUANTITY PER VARIATION/REVISION
KI KK KL KM KN KP KS KT PA RA
B05 B05 B05 B05 B05 B05 B05 B01 B02

LINE	ITEM	TOP DOCUMENT	PART NUMBER	DESCRIPTION	KI B05	KK B05	KL B05	KM B05	KN B05	KP B05	KS B05	KT B05	PA B01	RA B02
31	31		EK-DEPFR-UG	*** THIS ITEM IS NOT USED ***	-	-	-	-	-	-	-	-	-	-
32	32		GBZP3-UZ A	*** THIS ITEM IS NOT USED ***	-	-	-	-	-	-	-	-	-	1
33	33		DEPCA-KA A	ENGLISH NETWORK INTEGRATION PKG FO	-	-	-	-	-	-	-	-	4	2
34	34		DEPCA-BA A	THINWIRE ETHERNET/MOUSE BOARD W/LI	-	-	-	-	-	-	-	-	-	1
35	35		DESPA-AA A	VS400 ETHERNET CNTRL BRD W/THINWIR	-	-	-	-	-	-	-	-	-	-
36	36		Q3D04-UZ A	*** THIS ITEM IS NOT USED ***	-	-	-	-	-	-	-	-	-	-
37	37		QZD04-UZ A	*** THIS ITEM IS NOT USED ***	-	-	-	-	-	-	-	-	-	-
38	38	SEE NOTE 1	QL-OTLA9-AA A	DECNET PCSA CLNT DOS LICENSE	1	1	1	1	1	1	1	1	-	-
39	39		QA-A93AA-H5 A	VMS SVC FOR PCS TK50	-	-	-	-	-	-	-	-	1	-
40	40		QA-OTLAA-H5 A	DECNET PCSA CLNT DOS TK5	-	-	-	-	-	-	-	-	1	-
41	41	SEE NOTE 1	QS938-SZ A	PCSA DECSTART SERVICES/VAX	-	-	-	-	-	-	-	-	1	-
42	42	SEE NOTE 1	QL-DO4AP-AA A	DECNET-VAX E/N LIC W/WARR	-	-	-	-	-	-	-	-	-	1
43	43	SEE NOTE 1	QL-DO4AN-AA A	DECNET-VAX ENON LIC W/WARR	-	-	-	-	-	-	-	-	-	-
44	44		LK250-CA A	LK250 KYBD W/BCC37-06 PC/AT CABLE,	-	-	-	-	-	-	-	-	-	-
45	45		LK250-CC A	LK250 KYBD W/BCC37-06 PC/AT CABLE,	-	-	-	-	-	-	-	-	-	-
46	46		LK250-CD A	LK250 KYBD W/BCC37-06 PC/AT CABLE,	-	-	-	-	-	-	-	-	-	-
47	47		LK250-CQ A	LK250 KYBD W/BCC37-06 PC/AT CABLE,	-	-	-	-	-	-	-	-	-	-
48	48		LK250-CF A	LK250 KYBD W/BCC37-06 PC/AT CABLE,	-	-	-	-	-	-	-	-	-	-
49	49		LK250-CG A	LK250 KYBD W/BCC37-06 PC/AT CABLE,	-	-	-	-	-	-	-	-	-	-
50	50		LK250-CI A	LK250 KYBD W/BCC37-06 PC/AT CABLE,	1	-	-	-	-	-	-	-	-	-
51	51		LK250-CK A	LK250 KYBD W/BCC37-06 PC/AT CABLE,	-	1	-	-	-	-	-	-	-	-
52	52		LK250-CL A	LK250 KYBD W/BCC37-06 PC/AT CABLE,	-	-	1	-	-	-	-	-	-	-
53	53		LK250-CM A	LK250 KYBD W/BCC37-06 PC/AT CABLE,	-	-	-	-	1	-	-	-	-	-
54	54		LK250-CN A	LK250 KYBD W/BCC37-06 PC/AT CABLE,	-	-	-	-	-	1	-	-	-	-
55	55		LK250-CP A	LK250 KYBD W/BCC37-06 PC/AT CABLE,	-	-	-	-	-	-	1	-	-	-
56	56		LK250-CS A	LK250 KYBD W/BCC37-06 PC/AT CABLE,	-	-	-	-	-	-	1	-	-	-
57	57		LK250-CT A	LK250 KYBD W/BCC37-06 PC/AT CABLE,	-	-	-	-	-	-	-	1	-	-

1 GEN: FOR US AND GIA SHIPMENTS, ITEMS 38 AND 41-43 DO NOT REPRESENT PHYSICAL COMPONENTS, AND WILL NOT APPEAR ON THE MFG. BOM.
2 GEN: MINIMUM PART REVISION FOR ITEM 4 EK-DEPCA-OM IS 002.

D	I	G	I	T	A	L	TITLE	SECTION B	OF	C	SIZE	CODE	DOCUMENT NUMBER	REV
							DEPCA UNIT ASSEMBLY				K	PL	DEPCA-0-DBP	F

LINE	ITEM	TOP DOCUMENT	PART NUMBER	REV	DESCRIPTION	RB B01	SA B02	SB B01
1	1	B-DD-7024252-0-DBU	70-24252-01	E	DEPCA, MODULE, ASSY	-	-	-
2	2	A-PS-1701491-0-0	17-01491-01		CABLE ASSY, 16 COND, FLAT, 28AWG, 15PD	-	-	-
3	3	A-PS-1700612-0-0	17-00612-05		CABLE ASSY, 08 COND, MOLDED, SHIELD, 1	-	-	-
4	4	SEE NOTE 2	EK-DEPCA-0M		DEPCA OWNERS MANUAL	-	-	-
5	5		BC16T-12		BC16M-12, H8223 T-CONNECTOR, H8225 T	-	-	-
6	6	A-PA-3700950-0-0	37-00950-01		PKG DEPCA-AA/AX & BA/BX OPTION	-	-	-
7	7	K-DD-LK250-0-0	LK250-AA	C	*** THIS ITEM IS NOT USED ***	-	-	-
8	8	K-DD-LK250-0-0	LK250-AC	C	*** THIS ITEM IS NOT USED ***	-	-	-
9	9	K-DD-LK250-0-0	LK250-AD	C	*** THIS ITEM IS NOT USED ***	-	-	-
10	10	K-DD-LK250-0-0	LK250-ED	C	*** THIS ITEM IS NOT USED ***	-	-	-
11	11	K-DD-LK250-0-0	LK250-AF	C	*** THIS ITEM IS NOT USED ***	-	-	-
12	12	K-DD-LK250-0-0	LK250-AG	C	*** THIS ITEM IS NOT USED ***	-	-	-
13	13	K-DD-LK250-0-0	LK250-AI	C	*** THIS ITEM IS NOT USED ***	-	-	-
14	14	K-DD-LK250-0-0	LK250-AK	C	*** THIS ITEM IS NOT USED ***	-	-	-
15	15	K-DD-LK250-0-0	LK250-AL	C	*** THIS ITEM IS NOT USED ***	-	-	-
16	16	K-DD-LK250-0-0	LK250-AM	C	*** THIS ITEM IS NOT USED ***	-	-	-
17	17	K-DD-LK250-0-0	LK250-AN	C	*** THIS ITEM IS NOT USED ***	-	-	-
18	18	K-DD-LK250-0-0	LK250-AP	C	*** THIS ITEM IS NOT USED ***	-	-	-
19	19	K-DD-LK250-0-0	LK250-AS	C	*** THIS ITEM IS NOT USED ***	-	-	-
20	20	K-DD-LK250-0-0	LK250-AT	C	*** THIS ITEM IS NOT USED ***	-	-	-
21	21		EK-DEPCA-UG		*** THIS ITEM IS NOT USED ***	-	-	-
22	22	K-PL-VSXXX-0-DBP	VSXXX-AA		3 BUTTON SERIAL MOUSE WITH 5 FT CA	1	-	1
23	23	A-PA-3700950-0-0	37-00950-05		PKG DEPCA KA/KX OPTION (CUST)	-	-	-
24	24	A-PS-1701517-0-0	17-01517-02		*** THIS ITEM IS NOT USED ***	-	-	-
25	25	K-PA-3700950-0-0	37-00950-06		PKG CONTROLLER DEPCA-AU	-	-	-
26	26	SEE NOTE 1	QBZF7-UZ		*** THIS ITEM IS NOT USED ***	-	-	-
27	27	SEE NOTE 1	QVA05-UZ		*** THIS ITEM IS NOT USED ***	-	-	-
28	28		QGEL1-UZ		*** THIS ITEM IS NOT USED ***	-	-	-
29	29		EK-DEPIT-UG		*** THIS ITEM IS NOT USED ***	-	-	-
30	30				*** THIS ITEM IS NOT USED ***	-	-	-

REVISION HISTORY		KPL MATRIX FORMAT		SECTION C OF C	DRN: PAUL GAGNE	DIGITAL		
ENG	ECO NUMBER	REV	SECTION/VARIATION INDEX		DATE: 30-DEC-86	TITLE PARTS LIST		
---	INITIAL	A	[A]	AA, AU, BA, CA, KA, KC, KD, KE, KF, KG	CHK'D: D. HEALY	DEPCA UNIT ASSEMBLY		
DN	DEPCA-ML001	B	[B]	KI, KK, KL, KM, KN, KP, KS, KT, PA, RA	DATE: 18-MAY-87	DOCUMENT NUMBER		
DN	DEPCA-ML002	C	[C]	RB, SA, SB	DES. ENG: D. NELSON	SIZE	CODE	NUMBER
DN	DEPCA-ML003	D	[D]		DATE: 18-MAY-87	K	PL	DEPCA-0-DBP
DN	DEPCA-ML004	E	[E]		RESP. ENG.: D. NELSON	RELEASE DATE: 07-FEB-90		REV
DN	DEPCA-ML005	F	[F]		DATE: 18-MAY-87	RELEASE STATUS: RELEASED		F
			[H]		MFG. ENG: R. CRUZ	TOP DOCUMENT NUMBER:		EDIT #
			[J]		DATE: 18-MAY-87	B-DD-DEPCA-0-DBU		2
					BASIC PART NUMBER: DEPCA	ASSEMBLY NUMBER:		
					FILE NAME: MLA1070F.PLS			

"THIS DRAWING AND THE SPECIFICATIONS CONTAINED HEREIN ARE CONFIDENTIAL AND PROPRIETARY. THEY ARE THE PROPERTY OF DIGITAL EQUIPMENT CORPORATION AND SHALL NOT BE REPRODUCED OR COPIED OR USED IN WHOLE OR IN PART AS THE BASIS FOR THE MANUFACTURE OR SALE OF ITEMS WITHOUT WRITTEN PERMISSION. THIS IS AN UNPUBLISHED WORK PROTECTED UNDER THE FEDERAL COPYRIGHT LAWS."

LINE	ITEM	TOP DOCUMENT	PART NUMBER	DESCRIPTION	RB B01	SA B02	SB B01
31	31		EK-DEPFR-UG	*** THIS ITEM IS NOT USED ***	-	-	-
32	32		QBZP3-UZ A	*** THIS ITEM IS NOT USED ***	-	-	-
33	33		DEPCA-KA A	ENGLISH NETWORK INTEGRATION PKG FO	-	1	-
34	34		DEPCA-BA A	THINWIRE ETHERNET/MOUSE BOARD W/LI	3	2	3
35	35		DESVA-AA A	VS400 ETHERNET CNTRL BRD W/THINWIR	1	-	-
36	36		Q3D04-UZ A	*** THIS ITEM IS NOT USED ***	-	-	-
37	37		QZD04-UZ A	*** THIS ITEM IS NOT USED ***	-	-	-
38	38	SEE NOTE 1	QL-OTLA9-AA A	DECNET PCSA CLNT DOS LICENSE	-	-	-
39	39		QA-A93AA-H5 A	VMS SVC FOR PCS TK50	-	-	-
40	40		QA-OTLAA-H5 A	DECNET PCSA CLNT DOS TK5	-	-	-
41	41	SEE NOTE 1	QS938-SZ A	PCSA DECSTART SERVICES/VAX	-	-	-
42	42	SEE NOTE 1	QL-D04AP-AA A	DECNET-VAX E/N LIC W/WARR	1	-	-
43	43	SEE NOTE 1	QL-D04AN-AA A	DECNET-VAX ENON LIC W/WARR	-	1	1
44	44		LK250-CA A	LK250 KYBD W/BCC37-06 PC/AT CABLE,	-	-	-
45	45		LK250-CC A	LK250 KYBD W/BCC37-06 PC/AT CABLE,	-	-	-
46	46		LK250-CD A	LK250 KYBD W/BCC37-06 PC/AT CABLE,	-	-	-
47	47		LK250-CQ A	LK250 KYBD W/BCC37-06 PC/AT CABLE,	-	-	-
48	48		LK250-CF A	LK250 KYBD W/BCC37-06 PC/AT CABLE,	-	-	-
49	49		LK250-CG A	LK250 KYBD W/BCC37-06 PC/AT CABLE,	-	-	-
50	50		LK250-CI A	LK250 KYBD W/BCC37-06 PC/AT CABLE,	-	-	-
51	51		LK250-CK A	LK250 KYBD W/BCC37-06 PC/AT CABLE,	-	-	-
52	52		LK250-CL A	LK250 KYBD W/BCC37-06 PC/AT CABLE,	-	-	-
53	53		LK250-CM A	LK250 KYBD W/BCC37-06 PC/AT CABLE,	-	-	-
54	54		LK250-CN A	LK250 KYBD W/BCC37-06 PC/AT CABLE,	-	-	-
55	55		LK250-CP A	LK250 KYBD W/BCC37-06 PC/AT CABLE,	-	-	-
56	56		LK250-CS A	LK250 KYBD W/BCC37-06 PC/AT CABLE,	-	-	-
57	57		LK250-CT A	LK250 KYBD W/BCC37-06 PC/AT CABLE,	-	-	-

1 GEN: FOR US AND GIA SHIPMENTS, ITEMS 38 AND 41-43 DO NOT REPRESENT PHYSICAL COMPONENTS, AND WILL NOT APPEAR ON THE MFG. BOM.
2 GEN: MINIMUM PART REVISION FOR ITEM 4 EK-DEPCA-OM IS 002.

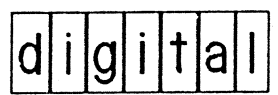
D	I	G	I	T	A	L	TITLE	SECTION C	OF C	SIZE	CODE	DOCUMENT NUMBER	REV
							DEPCA UNIT ASSEMBLY			K	PL	DEPCA-0-DBP	F

DRAWING NO.	NO. OF SHTS.	PART NO.	DESCRIPTION	REVISIONS															
				AI	BI	CI	DI	EI	E2	F1	F2	F3	H1	H2	H3	H4			
		70-24252-01	DEPCA MODULE ASSEMBLY																
K-PL-7024252-0-DBP	1		DEPCA MODULE ASSEMBLY	A	B	C	D	E	F	-	H	-	-	J	-	-			
D-AD-7024252-0-DBU	1		DEPCA MODULE ASSEMBLY	A	B	C	D	E	F	-	H	-	-	J	-	-			
K-SP-7024252-0-0	170		DEPCA FUNCTIONAL SPEC	-	-	-	A	B	B	B	B	C	B	B	C	C			
K-PL-7024252-1-DBP	1		DEPCA MODULE ASSEMBLY							A	-	-	B	-	-	-			
D-AD-7024252-1-DBU	1		DEPCA MODULE ASSEMBLY							A	-	-	B	-	-	-			
K-PL-7024252-2-DBP	1		DEPCA MODULE ASSEMBLY									A	-	-	B	C			
D-AD-7024252-2-DBU	1		DEPCA MODULE ASSEMBLY									A	-	-	B	C			

NOTES:
 USE THE FOLLOWING DOCUMENTS FOR ALL NEW MODULE BUILDS:
 K-PL-7024252-2-DBP, D-AD-7024252-2-DBU.

REVISION HISTORY		ECO NO.	REV.	A	B	C	D	E	F	H	H	J	K	K	K	L
DATE	INITIAL															
02-APR-87		7024252-ML001														
20-AUG-87		7024252-ML002														
04-MAY-88		7024252-ML003														
15-NOV-88		7024252-ML004														
05-FEB-89		7024252-ML005														
01-MAY-89		7024252-ML006														
01-MAY-89		7024252-ML006														
08-AUG-89		7024252-ML007														
22-MAR-90		7024252-ML008														
22-MAR-90		7024252-ML008														
22-MAR-90		7024252-ML008														
28-MAR-90		7024252-ML009														

THIS DRAWING AND THE SPECIFICATIONS CONTAINED HEREIN ARE CONFIDENTIAL AND PROPRIETARY. THEY ARE THE PROPERTY OF DIGITAL EQUIPMENT CORPORATION AND SHALL NOT BE REPRODUCED OR COPIED OR USED IN WHOLE OR IN PART AS THE BASIS FOR MANUFACTURE OR SALE OF ITEMS WITHOUT WRITTEN PERMISSION. THIS IS AN UNPUBLISHED WORK PROTECTED UNDER THE FEDERAL COPYRIGHT LAWS.



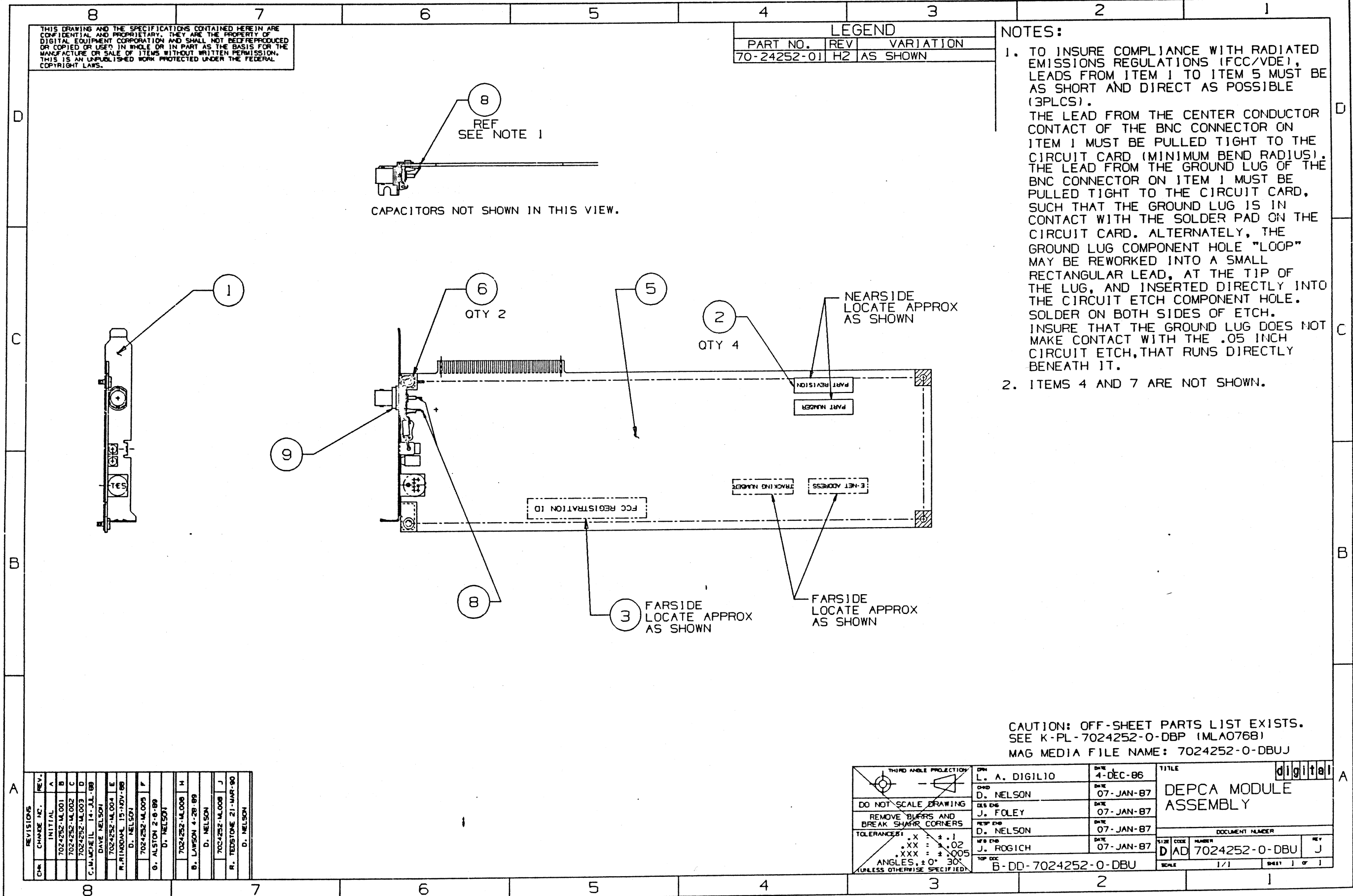
DRN. L.A.DIGILIO	DATE 04 DEC 88	TITLE DEPCA MODULE ASSEMBLY
CHK'D D.NELSON	DATE 07 JAN 87	
DES. ENG. J.FOLEY	DATE 07 JAN 87	DOCUMENT NUMBER 7024252-0-DBU
RESP. ENG D.NELSON	DATE 07 JAN 87	
MFG. ENG J.ROGICH	DATE 07 JAN 87	SIZE B DD
SHEET 1 OF 1		REV L

THIS DRAWING AND THE SPECIFICATIONS CONTAINED HEREIN ARE CONFIDENTIAL AND PROPRIETARY. THEY ARE THE PROPERTY OF DIGITAL EQUIPMENT CORPORATION AND SHALL NOT BE REPRODUCED OR COPIED OR USED IN WHOLE OR IN PART AS THE BASIS FOR THE MANUFACTURE OR SALE OF ITEMS WITHOUT WRITTEN PERMISSION. THIS IS AN UNPUBLISHED WORK PROTECTED UNDER THE FEDERAL COPYRIGHT LAWS.

LEGEND		
PART NO.	REV	VARIATION
70-24252-01	H2	AS SHOWN

NOTES:

- TO INSURE COMPLIANCE WITH RADIATED EMISSIONS REGULATIONS (FCC/VDE), LEADS FROM ITEM 1 TO ITEM 5 MUST BE AS SHORT AND DIRECT AS POSSIBLE (3PLCS).
THE LEAD FROM THE CENTER CONDUCTOR CONTACT OF THE BNC CONNECTOR ON ITEM 1 MUST BE PULLED TIGHT TO THE CIRCUIT CARD (MINIMUM BEND RADIUS). THE LEAD FROM THE GROUND LUG OF THE BNC CONNECTOR ON ITEM 1 MUST BE PULLED TIGHT TO THE CIRCUIT CARD, SUCH THAT THE GROUND LUG IS IN CONTACT WITH THE SOLDER PAD ON THE CIRCUIT CARD. ALTERNATELY, THE GROUND LUG COMPONENT HOLE "LOOP" MAY BE REWORKED INTO A SMALL RECTANGULAR LEAD, AT THE TIP OF THE LUG, AND INSERTED DIRECTLY INTO THE CIRCUIT ETCH COMPONENT HOLE. SOLDER ON BOTH SIDES OF ETCH. INSURE THAT THE GROUND LUG DOES NOT MAKE CONTACT WITH THE .05 INCH CIRCUIT ETCH, THAT RUNS DIRECTLY BENEATH IT.
- ITEMS 4 AND 7 ARE NOT SHOWN.



CAUTION: OFF-SHEET PARTS LIST EXISTS.
SEE K-PL-7024252-0-DBP (MLA0768)
MAG MEDIA FILE NAME: 7024252-0-DBUJ

REV.	CHG.	BY	DATE
A	INITIAL		
B	7024252-ML001		
C	7024252-ML002		
D	7024252-ML003		
E	7024252-ML004		
F	7024252-ML005		
G	7024252-ML006		
H	7024252-ML008		
I	7024252-ML009		
J	7024252-ML010		

<p>THIRD ANGLE PROJECTION</p> <p>DO NOT SCALE DRAWING REMOVE BLURS AND BREAK SHARP CORNERS</p> <p>TOLERANCES: .XX : ±.02 .XXX : ±.005 ANGLES: ±0° 30' UNLESS OTHERWISE SPECIFIED.</p>	DESIGNED L. A. DIGILIO DATE 4-DEC-86	TITLE DEPCA MODULE ASSEMBLY DOCUMENT NUMBER DAD 7024252-0-DBU SCALE 1/1 SHEET 1 OF 1
	CHECKED D. NELSON DATE 07-JAN-87	
	DESIGNED J. FOLEY DATE 07-JAN-87	
	DESIGNED D. NELSON DATE 07-JAN-87	
DESIGNED J. ROGICH DATE 07-JAN-87	TOP DOC B-DD-7024252-0-DBU	

LINE ITEM	TOP DOCUMENT	PART NUMBER	MIN REV	DESCRIPTION	QTY
1	D-AD-7024251-0-DBU	70-24251-01	B	BRACKET ASSY	1
2	A-PS-3618460-0-0	36-18460-01		LABEL, BAR CODE BLANK .38 X1.5	4
3	A-PS-3627638-0-0	36-27638-01		LABEL, FCC ID DEPCA	1
4	A-PA-3700950-0-0	37-00950-02		PKG 7024252-01 REPLACEMNET PK	1
5	SEE NOTES 1 & 2	54-16999-01	M	DEPCA, THIN ETHRNT IBM/PC-BUS ADPTR	1
6		90-10174-00		SCREW, SEMS PAN PHIL 6-32	2
7		90-10603-01		GUIDE, CARD W/POP INSERTS 3" CENTE	1
8		91-07560-01	B	WIRE, BUSS 22AWG TIN BARE	A/R
9		90-11135-01	A	BUSHING, INSULATING, BNC RECEPT	1

1 GEN: THIS DOCUMENT IS FOR UPGRADES TO EXISTING INSTALLED BASE OR FOR NEW MODULE BUILDS, BASED ON 50-16998-01 REV B1 ETCH.
 2 GEN: THE MINIMUM PART REVISION SPECIFIED IS ALSO THE MAXIMUM PART REVISION ALLOWED.

REVISION HISTORY			KPL MATRIX FORMAT		SECTION A OF A		DRN: L.A. DIGILIO		DIGITAL			
ENG	ECO NUMBER	REV	SECTION/VARIATION INDEX		DATE: 25-SEP-86		CHK'D: D. NELSON		TITLE PARTS LIST			
---	INITIAL	A	[A]	01	DATE: 08-JAN-87		DATE: 08-JAN-87		DEPCA MODULE ASSEMBLY			
TH	7024252-ML001	B	[B]				DES. ENG: J. FOLEY					
TH	7024252-ML002	C	[C]				DATE: 08-JAN-87		DOCUMENT NUMBER			
DN	7024252-ML003	D	[D]				RESP. ENG.: D. NELSON		SIZE	CODE	NUMBER	REV
DN	7024252-ML004	E	[E]				DATE: 08-JAN-87		K	PL	7024252-0-DBP	J
DN	7024252-ML005	F	[F]				MFG. ENG: J. ROGICH		RELEASE DATE:			
DN	7024252-ML006	H	[H]				DATE: 08-JAN-87		RELEASE STATUS: UNDER CHANGE			
DN	7024252-ML008	J	[J]									
			BASIC PART NUMBER:		ASSEMBLY NUMBER:		TOP DOCUMENT NUMBER:		EDIT #			
			7024252		D-AD-7024252-0-DBP		B-DD-7024252-0-DBP		1			
			FILE NAME: MLA0768J.PLS									

"THIS DRAWING AND THE SPECIFICATIONS CONTAINED HEREIN ARE CONFIDENTIAL AND PROPRIETARY. THEY ARE THE PROPERTY OF DIGITAL EQUIPMENT CORPORATION AND SHALL NOT BE REPRODUCED OR COPIED OR USED IN WHOLE OR IN PART AS THE BASIS FOR THE MANUFACTURE OR SALE OF ITEMS WITHOUT WRITTEN PERMISSION. THIS IS AN UNPUBLISHED WORK PROTECTED UNDER THE FEDERAL COPYRIGHT LAWS."

DRAWING NO.	NO. SHTS	PART NO.	DESCRIPTION	REVISIONS																	
D-UA-5416999-0-0	3	5416999-01	DEPCA UNIT ASSEMBLY	H1	J1	K1	H1	J1	K1	L1	M1	N1									
K-CS-5416999-0-1	10		DEPCA SCHEMATIC	D	D		D	D		E	E										
K-PL-5416999-0-DBP	1		DEPCA PART LIST		H			J			K										
K-CS-5416999-0-DBX	1		VALID SCHEMATIC DATA BASE	D	D		D	D		E	E										
K-PC-5416999-0-DBJ	1		P.C. DATA BASE	B	B	D	B	B	D	B	B	D									
K-DD-5016998-0-0	1	5016998-01	ETCHED CIRCUIT BOARD	B1	B1	D1	B1	B1	D1	B1	B1	D1									
			E.C.B. DRAWING DIRECTORY	E	E	F	E	E	F	E	E	F									
B-BD-5416999-0-2	1		DEPCA BLOCK DIAGRAM	A	A	A	A	A	A	A	A	A									
B-FD-5416999-0-3	1		DEPCA STATE DIAGRAM	A	A	A	A	A	A	A	A	A									
B-TD-5416999-0-4	10		DEPCA TIMING DIAGRAM	A	A	A	A	A	A	A	A	A									
D-UA-5416999-1-0	3		DEPCA UNIT ASSEMBLY	A			A				B										
K-PL-5416999-1-DBP	1		DEPCA PARTS LIST	A			A				B										
D-UA-5416999-2-0	3		DEPCA UNIT ASSEMBLY			A				A											B
K-PL-5416999-2-DBP	3		DEPCA PARTS LIST			A				B											C
K-CS-5416999-2-1	10		DEPCA CIRCUIT SCHEMATIC			A				A											A

NOTES:
THERE WILL NEVER BE A C1 ETCH. ETCH REV WENT FROM B1 TO DI.
USE THE FOLLOWING DOCUMENTS FOR ALL NEW MODULE BUILDS:
D-UA-5416999-2-0
K-PL-5416999-2-DBP
K-CS-5416999-2-1
FOR BACK REVISIONS SEE B-DD-5416999-0-0 REV J.

REV	K	L	M	N	N	N	P	P	P
R									
E									
V									
H									
I									
S									
T									
O									
R									
I									
O									
N									
Y									
D	0	0	0	1	1	1	0	0	0
A	6	7	8	2	2	2	3	3	3
T	/	/	/	/	/	/	/	/	/
E	8	8	8	8	8	8	9	9	9
	9	9	9	9	9	9	0	0	0

THIS DRAWING AND THE SPECIFICATIONS CONTAINED HEREIN ARE CONFIDENTIAL AND PROPRIETARY. THEY ARE THE PROPERTY OF DIGITAL EQUIPMENT CORPORATION AND SHALL NOT BE REPRODUCED OR COPIED OR USED IN WHOLE OR IN PART AS THE BASIS FOR THE MANUFACTURE OR SALE OF ITEMS WITHOUT WRITTEN PERMISSION. THIS IS AN UNPUBLISHED WORK PROTECTED UNDER THE FEDERAL COPYRIGHT LAWS.	DRN: J. CUNNINGHAM	DATE: 9/22/86	d i g i t a l									
	CHK'D: B. DITOMMASO	DATE: 9/22/86	TITLE DEPCA									
	DES.ENG.: J. LU	DATE: 06NOV86	SHEET 1 OF 2									
	RESP.ENG.: D. NELSON	DATE: 06NOV86	DOCUMENT NUMBER									
			DD FILENAME: 5416999P.DDF									
	MFG.ENG.: J. ROGICH	DATE: 06NOV86	SIZE: K	CODE: DD	NUMBER: 5416999-0-0						REV: P	

DRAWING NO.	NO. SHTS	PART NO.	DESCRIPTION	REVISIONS		
K-CS-5416999-2-DBX			DEPCA SCHEMATIC DATA BASE	A	A	A
d i g i t a l TITLE DEPCA			SHEET 2 OF 2	SIZE CODE	DOCUMENT NUMBER	REV
				K DD	5416999-0-0	P

LINE	ITEM	TOP DOCUMENT	PART NUMBER	MIN REV	DESCRIPTION	QTY PER VAR/REV	REFERENCE DESIGNATORS
1	1	K-DD-5016998-0-0	50-16998-01	B	PWB,04L,13X04X062,08/08,038,PT,S	1	
2	2		10-00002-05		68 MFD 10V +/-10% SOL	2	C3,C44
3	3		10-00079-00		47 MFD 20V +/-20% SOL	1	C45
4	4		.0-10274-02		1.0 MFD 50V +80/-20% Z5U C	1	C14
5	5		10-12784-00		0.047MFD 50V +80/-20% Z5U C	29	C19,C20,C23,C25,C34,C36,C39, CONT C40,C46-C48,C50,C52-C58,C60, CONT C62-C70
6	6		10-13466-06		100 PFD 50V +/- 5% NP0 C	2	C9,C16
7	7		10-13466-16		0.010MFD 50V +/-10% X7R C	4	C8,C41-C43
8	8		10-13466-17		150 PFD 50V +/- 5% NP0 C	1	C12
9	9		10-13466-22		0.10 MFD 50V +80/-20% Z5U C	7	C10,C13,C15,C17,C30,C35,C38
10	10		10-13466-27		820 PFD 50V +/- 5% NP0 C	1	C11
11	11		10-13466-34		4700 PFD 50V +/- 5% X7R C	1	C18
12	12		10-13466-50		680 PFD 50V +/- 5% NP0 C	1	C26
13	13		10-14265-00		0.22 MFD 50V +80/-20% Z5U C	6	C22,C29,C31-C33,C37
14	14		10-15573-02		0.10 MFD 50V +/-10% X7R C	1	C21
15	15		10-17472-00		10 MFD 35V +75/-10% 85	5	C2,C4-C7
16	16		11-00114-00		PIV= 25 IO=135 MA	2	D1,D3
17	17		11-03441-00		*** THIS ITEM IS NOT USED ***	-	
18	18		11-05796-00		PIV= 400 IO= 1.00A 1N4004 D0-41	1	D2
19	19		11-14602-00		RECT,ULTRA FAST PIV= 100 IO= 4.0	1	D4
20	20		11-16283-00		1N 4735A VZ= 6.2 5% 1W	4	D6-D9
21	21		11-17373-01		LED ASSY RED	1	D11
22	22		11-17373-02		LED ASSY, YELLOW	1	D12
23	23		12-05747-00		FUSE PICO 5.0 A 125V AXIAL LEA	1	F1
24	24		12-10929-06		FUSE PICO 2.0 A 125V AXIAL LEA	2	F2,F3
25	25		12-12518-19	A	PCB HEADER 02POS(1X02).100CC STR	6	W6-W8,W15-W17
26	26		12-12518-20		PCB HEADER 03POS(1X03).100CC STR	11	W1-W5,W9-W14
27	27		12-13488-15		PCB HEADER 16PIN(2X08).100CC STR	1	J4
28	28		12-15006-07		SKT,IC 28PIN DIP TIN SOLD	1	XE15

REVISION HISTORY			KPL MODULE FORMAT SECTION A OF A		DRN: E. LANDRY	DIGITAL			
ENG	ECO NUMBER	REV	SECTION/VARIATION INDEX		DATE: 13-JAN-86	TITLE	PARTS LIST		
---	INITIAL	A	[A] 01	[M]	CHK'D: B. DITOMMASO	DEPCA			
TH	5416999-ML001	B	[B]	[N]	DATE: 30-SEP-86				
TH	5416999-ML002	C	[C]	[P]	DES.ENG: JEFF LU				
TH	5416999-ML003	D	[D]	[Q]	DATE: 30-SEP-86				
DN	5416999-ML006	E	[E]	[R]	RESP.ENG.: DAVE NELSON	SIZE: CODE:	NUMBER	REV	
DN	5416999-ML007	F	[F]	[S]	DATE: 01-OCT-86	K	PL	5416999-0-DBP	K
DN	5416999-ML009	H	[H]	[T]	MFG.ENG: JERRY ROGICH	RELEASE DATE: 23-MAR-90			
DN	5416999-ML011	J	[J]	[V]	DATE: 22-OCT-86	RELEASE STATUS: RELEASED			
DN	5416999-ML012	K	[K]	[W]					
			[L]	[Y]					
BASIC PART NUMBER:			ASSEMBLY NUMBER:		TOP DOCUMENT NUMBER:			EDIT #	
5416999			D-UA-5416999-0-0		K-DD-5416999-0-0			1	
FILE NAME: GH833K.PLS									

"THIS DRAWING AND THE SPECIFICATIONS CONTAINED HEREIN ARE CONFIDENTIAL AND PROPRIETARY. THEY ARE THE PROPERTY OF DIGITAL EQUIPMENT CORPORATION AND SHALL NOT BE REPRODUCED OR COPIED OR USED IN WHOLE OR IN PART AS THE BASIS FOR THE MANUFACTURE OR SALE OF ITEMS WITHOUT WRITTEN PERMISSION. THIS IS AN UNPUBLISHED WORK PROTECTED UNDER THE FEDERAL COPYRIGHT LAWS."

LINE	ITEM	TOP DOCUMENT	PART NUMBER	MIN REV	DESCRIPTION	QTY	REFERENCE DESIGNATORS
29	29		12-18783-00	A	JUMPER	14	
30	30		12-19911-04		SKT, IC	1	XE20
31	31		12-26589-01		PCB HEADER	1	J3
32	32		13-00229-00		100.0 .25 W 5.0 % CF	3	R2,R3,R23
33	33		13-00250-00		150.0 .25 W 5.0 % CF	1	R34
34	34		13-00295-00		330.0 .25 W 5.0 % CF	7	R11,R14,R19,R20,R27,R32,R33
35	35		13-00316-00		470.0 .25 W 5.0 % CF	2	R5,R26
36	36		13-00432-00		3.0 K .25 W 5.0 % CF	1	R29
37	37		13-00447-00		4.70 K .25 W 5.0 % CF	10	R1,R4,R10,R12,R13,R15-R18,R46
38	38		13-00479-00		10.0 K .25 W 5.0 % CF	3	R25,R45,R52
39	39		13-01969-00		22.0 .25 W 5.0 % CF	2	R21,R48
40	40		13-02379-00		75.0 .25 W 5.0 % CF	1	R9
41	41		13-02411-00		511.0 .25 W 1.0 % RN55D-F10	5	R28,R35,R37,R39,R51
42	42		13-02941-00		14.70 K .25 W 1.0 % RN55D-F10	1	R7
43	43		13-03114-00		1.0 K .25 W 1.0 % RN55D-F10	2	R6,R49
44	44		13-04866-00		2.0 K .25 W 1.0 % RN55D-F10	1	R44
45	45		13-05346-00		27.0 K .25 W 5.0 % CF	1	R53
46	46		13-09595-00		1.0 M .25 W 5.0 % CF	1	R42
47	47		13-11522-00		200.0 .25 W 5.0 % CF	1	R36
48	48		13-12546-00		16.50 K .25 W 1.0 % RN55D-F10	1	R8
49	49		13-16395-00		R. NET 4.7K- 9 2.0	1	Z1
50	50		13-18150-74		39.20 .25 W 1.0 % RN55D-F10	2	R22,R24
51	51		13-18150-75		40.20 .25 W 1.0 % RN55D-F10	8	R30,R31,R38,R40,R41,R43,R47,R50
52	52		15-03100-00		DEC3009B NPN 200MW SI 20 25	1	Q1
53	53		15-20324-01		FET 40W N CHNNL TO	1	Q2
54	54		16-09756-00		2.2 UH 10% 760MA #DD2.20	1	L1
55	55		16-12946-03		5.6 UH 10% Q MIN=52@7.9MHZ	4	L2,L4,L6,L7
56	56		16-18238-02		BEAD, FERRITE .1380DX.330LG	2	L3,L5
57	57		16-24903-01		PULSE XFMR RATIO 1:1	1	T1
58	58		16-25859-01		XFMR, SWITCHING, HI FREQUENCY	1	T2
59	59		18-11660-02		OSCILLATOR, XTAL 5.0688 MHZ	1	Y2
60	60		18-22815-01		XTAL 20.000 MHZ	1	Y1
61	61		19-09929-00		7417 BUFFER GATE-HEX 1INP	1	E4
62	62		19-11944-00		555CN TIMER, FUNCT. BLOCK	1	E48
63	63		19-12803-00		LS04 INVERTER GATE, HEX	2	E24,E25
64	64		19-12805-00		LS08 AND GATE-QUAD 2IN, PO	1	E16
65	65		19-12816-00		LS32 OR GATE-QUAD 2IN, POS	1	E23
66	66		19-12824-00		LS74 FF-D DUAL, EDGE TRIGG	1	E22
67	67		19-12848-00		LS158 MUX 1 OF 2 (QUAD)	1	E27
68	68		19-12853-00		LS175 FF-D QUAD	1	E30
69	69		19-13009-00		4N36 OPTO COUPLED ISLTR	1	E49
70	70		19-15193-00		LS244 DRIVER, LINE, OCTAL, TR	4	E9,E10,E14,E33
71	71		19-15218-00		LS245 TRANSCEIVER, BUS, OCTA	1	E3
72	72		19-15219-00		LS373 FF-D OCTAL-TRANSPARE	4	E35-E38
73	73		19-15415-02		9636 DRIVER, DUAL LINE PCX	1	E2
74	74		19-15932-00		LS125 BUFFER, QUAD BUS	2	E19,E21
75	75		19-19542-01		9639 RECEIVER, LINE, DUAL	1	E7
76	76		19-20442-01		74F374 FF-D, OCTAL, TRI-STATE	1	E12
77	77		19-20853-01		LS646 BUS TRANSCEIVER/REGI	2	E31,E32
78	78		19-20894-01		LS590 COUNTER, BINARY, 8-BIT	1	E26

D	I	G	I	T	A	L	TITLE	DEPCA	SECTION A	OF A	SIZE	CODE	DOCUMENT NUMBER	REV
											K	PL	5416999-0-DBP	K

LINE	ITEM	TOP DOCUMENT	PART NUMBER	MIN REV	DESCRIPTION	QTY	REFERENCE DESIGNATORS
79	79		19-21309-01		74F10 NAND GATE,TRIPLE,3-I	1	E28
80	80		19-21314-01		74F74 FF-D,DUAL,POS.,EDGE	2	E17,E18
81	81		19-21671-03		INTERFACE,SERIAL ADAPTOR 300MIL	1	E6
82	82		19-25220-03		*** THIS ITEM IS NOT USED ***	-	
83	83		21-18623-00		2661-3COMMUNICATIONS,INTER	1	E29
84	84		21-21384-02		RAM 8KX8,STATIC 150	6	E39-E41,E45-E47
85	85		21-21672-07		*** THIS ITEM IS NOT USED ***	-	
86	86		23-365A1-00		A1-09	1	E34
87	87		23-247E5-00		*** THIS ITEM IS NOT USED ***	-	
88	88		23-287J5-00		*** THIS ITEM IS NOT USED ***	-	
89	89		23-75L1 -00		*** THIS ITEM IS NOT USED ***	-	
90	90		23-288J5-00		J5-03 PAL,OCTAL,AND-	1	E8
91	91		91-05740-55		WIRE(WRAP) 30AWG KYNAR UL14	A/R	
92	92		12-15006-02	A	SKT,IC 16PIN DIP TIN SOLD	1	XE34
93	93		19-12801-00	A	LS02 NOR-GATE-QUAD 2IN	1	E13
94	94		23-79L1 -00	A	L1-01	1	E11
95	95	SEE NOTE 3			*** THIS ITEM IS NOT USED ***	-	
96	96		23-274E5-00	A	*** THIS ITEM IS NOT USED ***	-	
97	97		49-01176-00	A	ADHESIVE,HOT MELT,STICK FORM	A/R	
98	98		11-03441-01	A	VZ= 8.2 1% 400 MW 1N756A	1	D5
99	99		23-287E5-00		*** THIS ITEM IS NOT USED ***	-	
100	100		23-289J5-00		J5-03 PAL,OCTAL,AND-	1	E5
101	101		19-25220-05	A	COAXIAL TRANSCEIVER INTERFACE 5B	1	E1
102	102	SEE NOTE # 102	21-21672-09	A	CONTROLLER,LOCAL AREA NET	1	E20
103	103	SEE NOTE # 103	23-343E5-00	A	*** THIS ITEM IS NOT USED ***	-	
104	105		23-385E5-00	A	E5-02,E5-03 U	1	E15

102 NOTE: 21-21672-11 IS AN ACCEPTABLE ALTERNATE FOR ITEM 102, 21-21672-09.
103 NOTE: SEE NOTE 1.

1 GEN: THIS DOCUMENT IS FOR UPGRADES TO EXISTING INSTALLED, BASE OR FOR NEW MODULE BUILDS, USING 50-16998-01 REV B1.
2 GEN: THE MINIMUM PART REVISION SPECIFIED FOR ITEM 1 IS ALSO THE MAXIMUM PART REVISION ALLOWED.
3 GEN: DUE TO A BUG IN THE KPL PROGRAM I HAD TO DELETE THE PART NUMBER 19-25220-06, (ITEM NOT USED).

D	I	G	I	T	A	L	TITLE	DEPCA	SECTION A	OF	A	SIZE	CODE	DOCUMENT NUMBER	REV
												K	PL	5416999-0-DBP	K

THIS DRAWING AND ASSOCIATED DATA ARE THE PROPERTY OF DECCA. ANY REPRODUCTION OR USE OF THIS DRAWING OR DATA IN ANY MANNER WITHOUT THE WRITTEN PERMISSION OF DECCA IS PROHIBITED. © 1986

ECO 5416999-MLO03
LIFT PINS SIDE 1 (AS SHOWN)

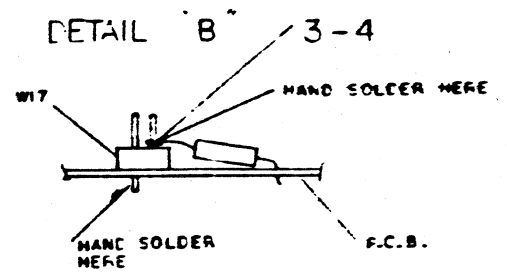
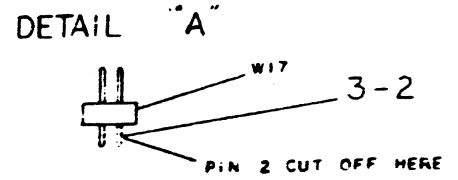
- 3-1 LI PIN 1
COMPONENT ADD SIDE 1 (AS SHOWN)
3-2 MODIFY W17 BY CUTTING OFF PIN 2 BELOW THE PLASTIC MOLDING, AS SHOWN IN DETAIL 'A', BEFORE INSERTING INTO P.C.B.
3-3 INSERT PIN 1 OF MODIFIED W17 IN COMPONENT VIA PREVIOUSLY OCCUPIED BY LI PIN 1 AS SHOWN
3-4 WRAP FLYING LEAD OF LI PIN 1 AROUND W17 PIN 2 AT THE BASE OF W17 AND HAND SOLDER, AS SHOWN IN DETAIL 'B' SECURE W17 AND LI WITH ADHESIVE P/N 49-01176-00

- PART ADDS/DELETES
3-5 REMOVE 1103441-00 REF D5
3-6 REMOVE 1925220-03 REF E1
3-7 REMOVE 23247E5-00 REF E15
3-8 ADD 1925220-06 REF E1
3-9 ADD 23274E5-00 REF E15
3-10 ADD 1103441-01 REF D5

ECO 5416999-MLO06
LIFT PINS SIDE 1 (AS SHOWN)

- 4-1 E33 PIN 13.
WIRE ADDS SIDE 1 (AS SHOWN)
4-2 FROM E33 PIN 13 (FLYING LEAD) TO W8 PIN 1.
PART ADDS/DELETES
4-3 REMOVE 23274E5-00 REF E15
4-4 REMOVE 23287J5-00 REF E5
4-5 ADD 23287E5-00 REF E15
4-6 ADD 23289J5-00 REF E5

- ECO 5416999-MLO07
PART ADDS/DELETES
5-1 REMOVE 19-25220-06 REF E1
5-2 REMOVE 21-21672-07 REF E20
5-3 ADD 19-25220-05 REF E1
5-4 ADD 21-21672-09 REF E20



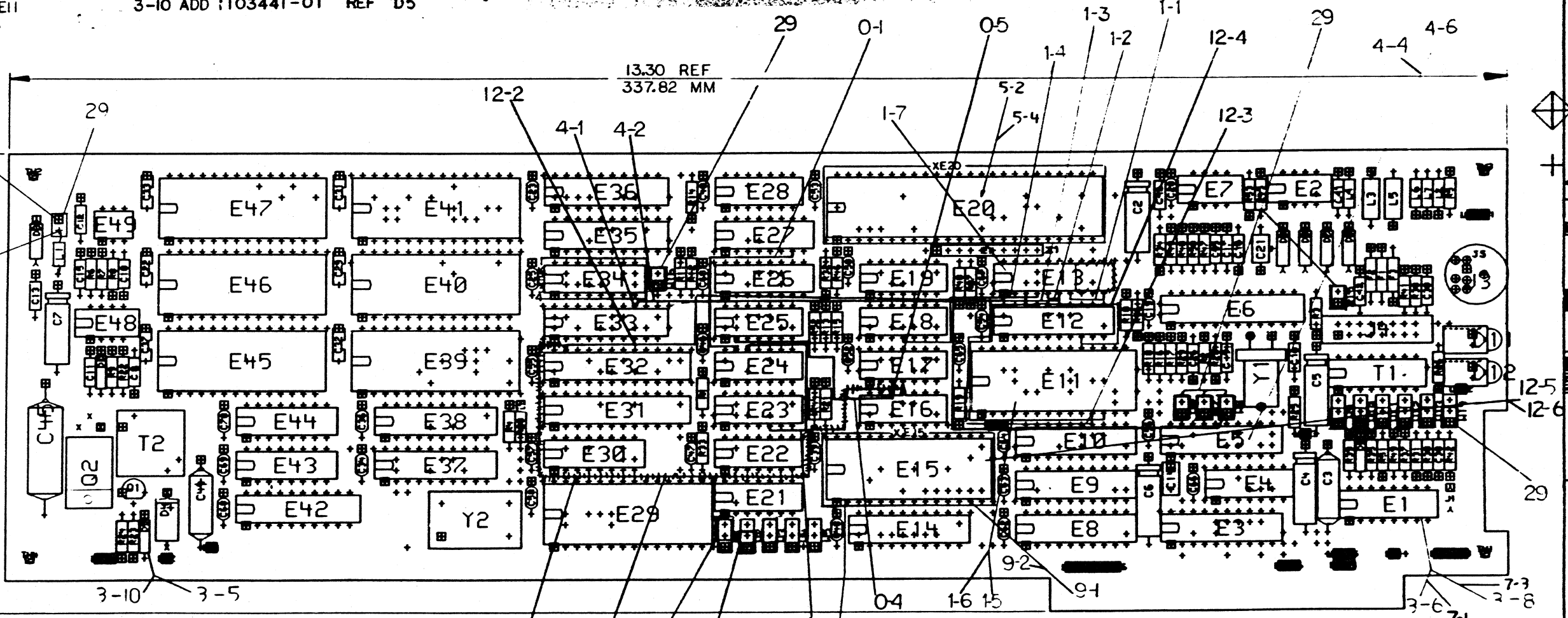
REWORK INSTRUCTIONS

- WIRE ADDS SIDE 1 (AS SHOWN)
0-1 FROM E27 PIN 7 TO E24 PIN 13
0-2 FROM E24 PIN 12 TO E23 PIN 5
0-3 FROM E16 PIN 11 TO E32 PIN 23
0-4 FROM E16 PIN 12 (FLYING LEAD) TO E25 PIN 2

- LIFT PINS SIDE 1 (AS SHOWN)
0-5 E16 PIN 12

- WIRE ADDS SIDE 1 (AS SHOWN)
1-1 FROM E3 PIN 7 TO GROUND VIA
1-2 FROM E3 PIN 6 TO E13 PIN 5
1-3 FROM E13 PIN 6 TO E11 PIN 12
1-4 FROM E13 PIN 4 TO E18 PIN 4

- PART ADDS/DELETES
1-5 REMOVE 23075LI-0C REF E11
1-6 ADD 23079LI-0C REF E11
1-7 ADD 191280I-0C REF E13



NOTES:

- E42-E44 ARE SPARES.
- LI IS HAND INSERTED.
- COMPONENT HOLES FOR LI ARE MASKED BEFORE WAVE SOLDER (2 PLCS.)

STEP	↑ Y AXIS	STEP	TIMES
REPEAT	→ X AXIS	STEP	TIMES

CHANGE NO	REV	INIT	DATE
A	1	J. HOLMES	1986-01-15
B	1	J. HOLMES	1986-01-15
C	1	J. HOLMES	1986-01-15
D	1	J. HOLMES	1986-01-15
E	1	J. HOLMES	1986-01-15
F	1	J. HOLMES	1986-01-15
G	1	J. HOLMES	1986-01-15
H	1	J. HOLMES	1986-01-15
I	1	J. HOLMES	1986-01-15
J	1	J. HOLMES	1986-01-15

ETD REV.	B1
----------	----

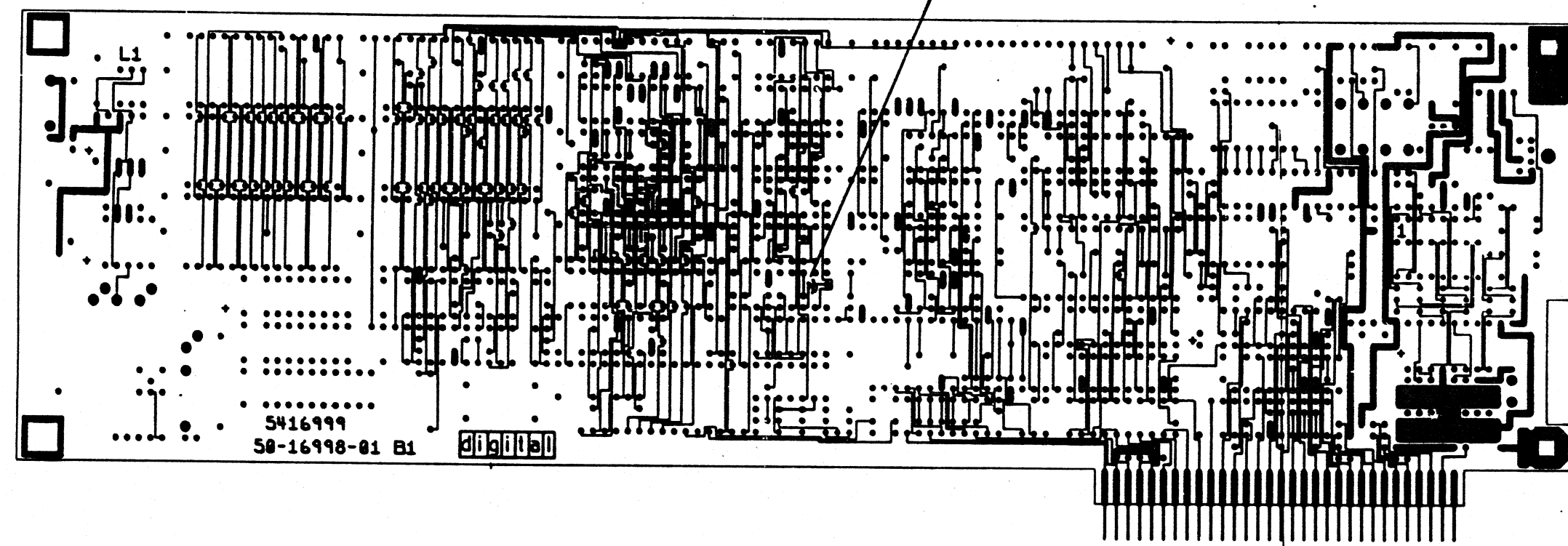
SIGNATURES		DATE	digital
DRN. J. CUNNINGHAM		1986-01-15	
CHK'D. Steve Dromms		1986-01-15	TITLE DEPCA
MECH. ENG. J. S. [Signature]		1986-01-15	
PROD. ENG. [Signature]		1986-01-15	
SCALE 2/1	SIZE CODE	NUMBER	REV
SMT. 1 OF 4	D UR	5416999-0-0	J
NEXT HIGHER REV. K-00-5416999-0-0			

8 6 5 4 3 2 1

THIS DRAWING AND SPECIFICATIONS HEREIN ARE THE PROPERTY OF DIGITAL EQUIPMENT CORPORATION AND SHALL NOT BE REPRODUCED OR COPIED OR USED IN WHOLE OR IN PART AS THE BASIS FOR THE MANUFACTURE OR SALE OF ITEMS WITHOUT WRITTEN PERMISSION.
COPYRIGHT © DIGITAL EQUIPMENT CORPORATION

REWORK INSTRUCTIONS
ETCH CUT SIDE 1 (AS SHOWN).
O-1 BETWEEN E16 PIN 11 AND E23 PIN 5.

VIED FROM SIDE 1



5416999
50-16998-01 B1 digital

DJA 5416999-0-0 J

REVISION HISTORY		
DATE	ECO NUMBER	REV.

DOCUMENT NUMBER			
SHR CODE	NUMBER	REV.	
DJA	5416999-0-0	J	
SCALE	SHEET 2 OF 4		

8 7 6 5 4 3 2 1

8 6 5 4 3 2 1

THIS DRAWING AND SPECIFICATIONS HEREON ARE THE PROPERTY OF DIGITAL EQUIPMENT CORPORATION AND SHALL NOT BE REPRODUCED OR COPIED OR USED IN WHOLE OR IN PART AS THE BASIS FOR THE MANUFACTURE OR SALE OF ITEMS WITHOUT WRITTEN PERMISSION.
COPYRIGHT © DIGITAL EQUIPMENT CORPORATION

REWORK INSTRUCTIONS
ETCH CUT SIDE 2 (AS SHOWN).
0-2 BETWEEN E32 PIN 23 AND E25 PIN 2.
1-1 BETWEEN E11 PIN 12 AND E18 PIN 4.

VIEWS FROM SIDE 2



50-16998-01 B1
LPWR DEPCA

DJA 5416999-0-0 J

REVISION HISTORY		
DATE	ECO NUMBER	REV

DOCUMENT NUMBER			
ORG	CODE	TITLE	REV
DJA	5416999-0-0		J
SCALE		SHEET 3 OF 4	

8 7 6 5 4 3 2 1

0-0-6669149

THIS DRAWING AND SPECIFICATIONS HEREIN ARE THE PROPERTY OF DIGITAL EQUIPMENT CORPORATION AND SHALL NOT BE REPRODUCED OR COPIED OR USED IN WHOLE OR IN PART AS THE BASIS FOR THE MANUFACTURE OR SALE OF ITEMS UNLESS WRITTEN PERMISSION IS OBTAINED FROM DIGITAL EQUIPMENT CORPORATION.

REWORK INSTRUCTIONS
ECO # 5416999-ML009
PART ADDS/DELETES
9-1 REMOVE 23267E5-00 REF E18
9-2 ADD 23343E5-00 REF E18

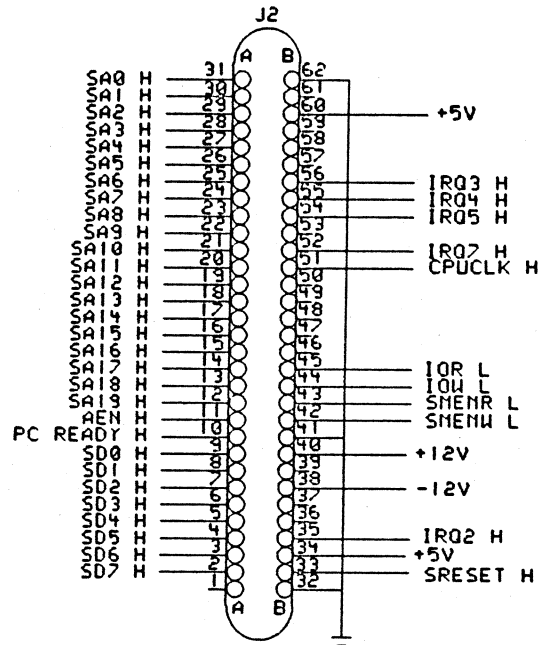
REWORK INSTRUCTIONS
ECO 5416999-ML012
12-1 CUT PREVIOUS ECO WIRE ATTACHED TO E32 PIN 23 AND E16 PIN 11.
WIRE ADDS SIDE 1
12-2 FROM E13 PIN 1 TO E32 PIN 23.
12-3 FROM E13 PIN 2 TO E11 PIN 11.
12-4 FROM E13 PIN 3 TO E12 PIN 8.
PARTS ADDS/DELETES
12-5 REMOVE 23343E5-00 REF E15.
12-6 ADD 23385E5-00 REF E15.

REVISION HISTORY		
DATE	ECO NUMBER	REV.

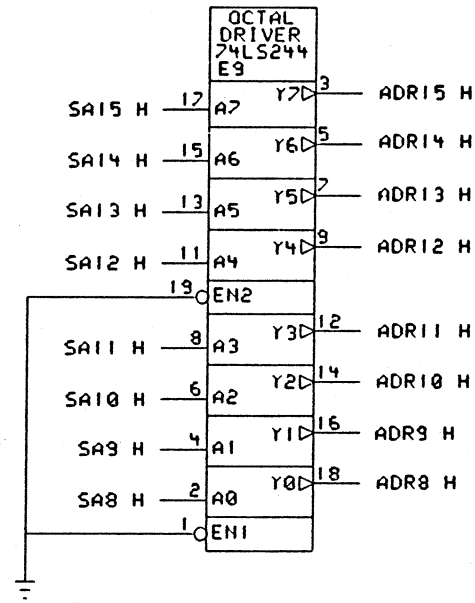
DOCUMENT NUMBER			
REV	DATE	PLACED	REV
0	UA	5416999-0-0	J
SCALE		SHEET 4 OF 4	

0-0-6669149

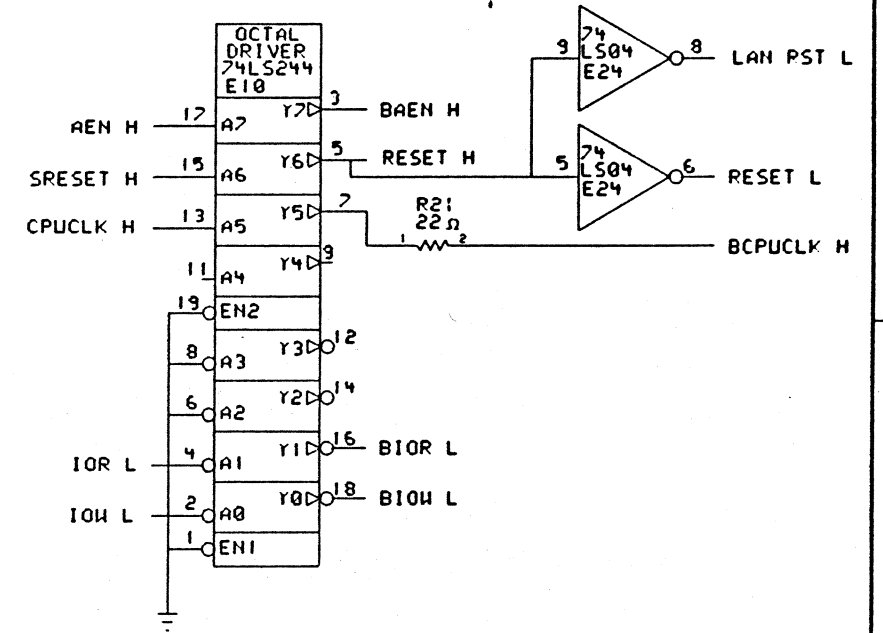
8-BIT SYSTEM BUS CONNECTOR



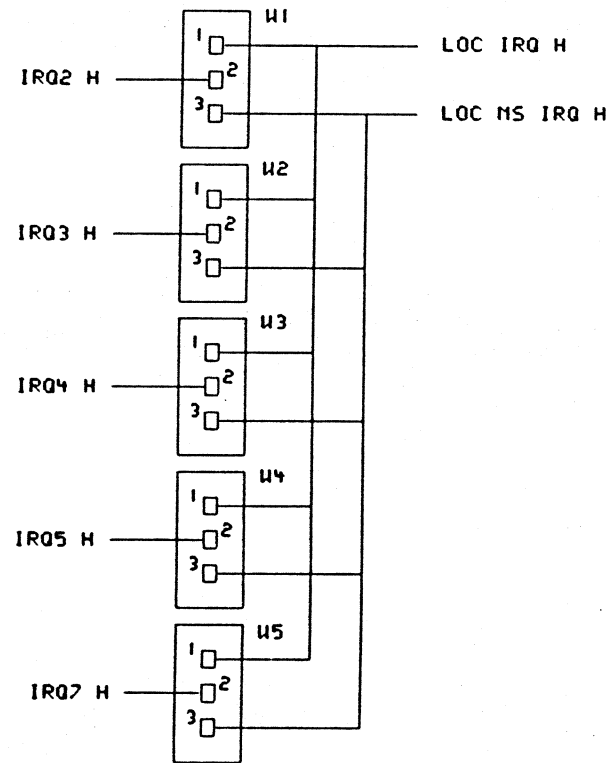
BUS ADDRESS BUFFER



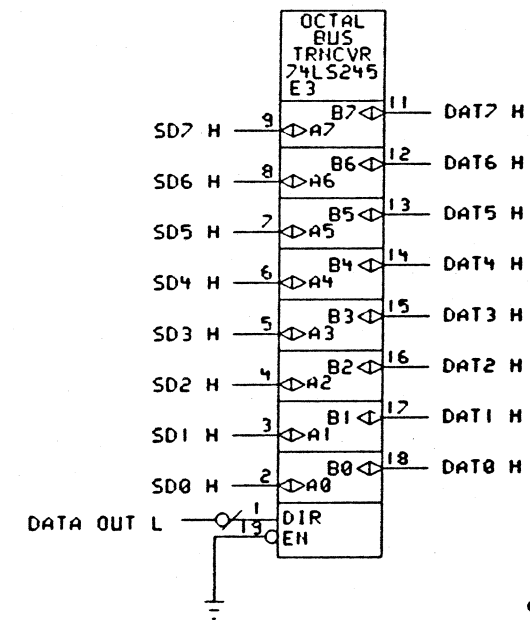
BUS COMMAND BUFFER



INTERRUPT VECTOR SELECT



BUS DATA BUFFER



DRAWING
 TITLE=DEPCA2
 ABBREV=UPCA2
 LAST MODIFIED=Wed Apr 4 15:07:00 1990

PC BUS BUFFERS

THIS DRAWING AND THE SPECIFICATIONS CONTAINED HEREIN ARE CONFIDENTIAL AND PROPRIETARY. THEY ARE THE PROPERTY OF DIGITAL EQUIPMENT CORP. AND SHALL NOT BE REPRODUCED OR COPIED OR USED IN WHOLE OR IN PART AS THE BASIS FOR THE MANUFACTURE OR SALE OF ITEMS WITHOUT WRITTEN PERMISSION. THIS IS AN UNPUBLISHED WORK PROTECTED UNDER THE FEDERAL COPYRIGHT LAWS. COPYRIGHT © 1985 DIGITAL EQUIPMENT CORPORATION

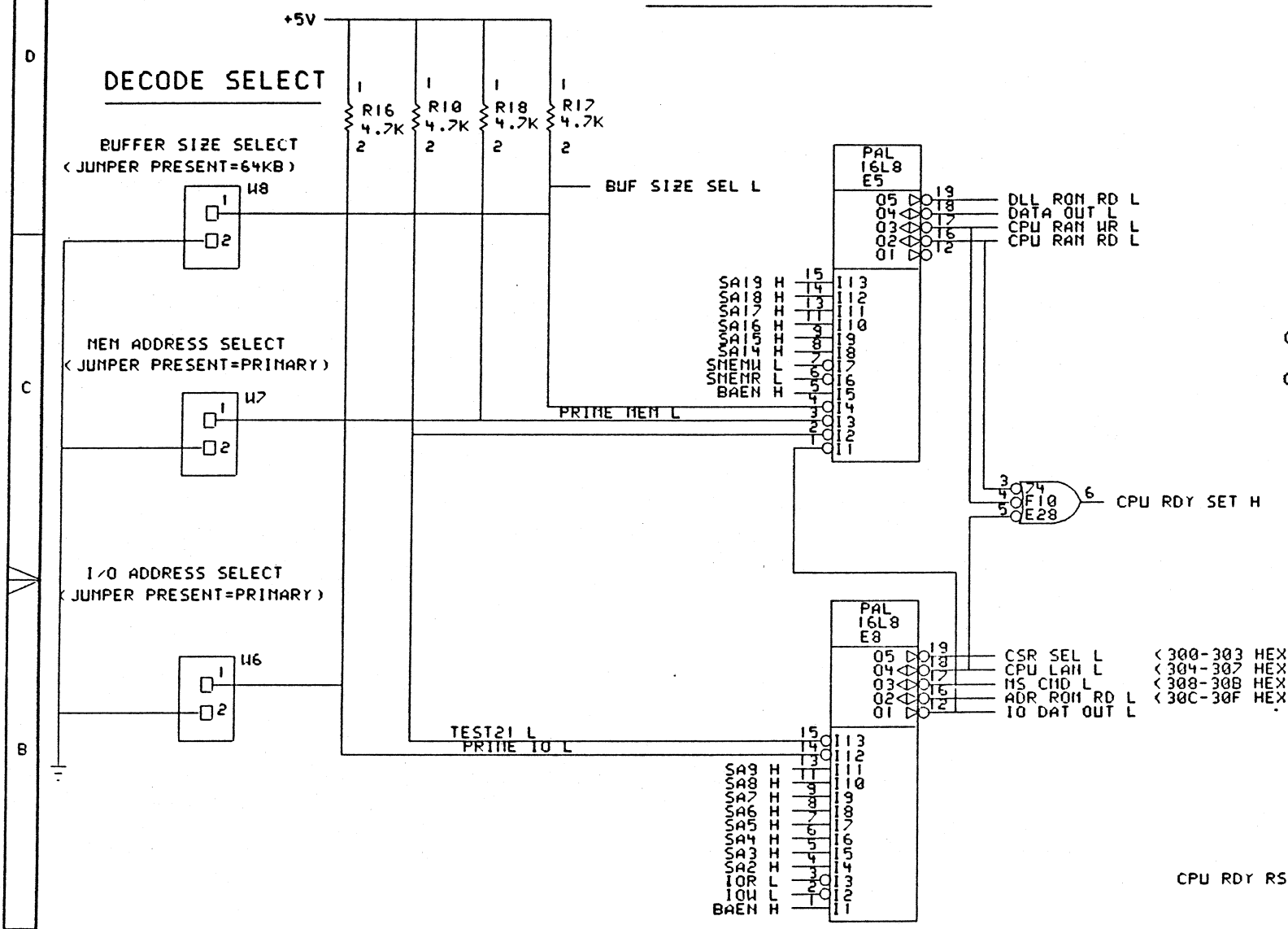
REVISION	REVISION	REVISION	REVISION								
CHK	CHANGE NO.	REV	CHK	CHANGE NO.	REV	CHK	CHANGE NO.	REV	CHK	CHANGE NO.	REV
EL	5416999-ML001	B	KG	5416999-ML003	C		5416999-ML006	D		5416999-ML012	E
	JEFF LU		K GLEEZEN	DAVE NELSON		D NELSON	R. BUREAU		D NELSON	SUSAN HART	

digital	DATE	12-05-85	DATE	7-24-86	TITLE	DEPCA					
	UPDATER	Wing Chung	DATE	25-SEPT-86							
USRA:	OPN: PAUL O'KEEFE	DATE	12-05-85	DATE	7-24-86	TOP DOCUMENT NUMBER:					
FIRST USED ON OPTION/MODEL:	P. O'KEEFE	DATE	25-SEPT-86	DATE	7-24-86		K-DD-5416999-0-0				
				SHEET	1	OF	10	SIZE	CODE	NUMBER	REV.
					K	CS	5416999-0-1				E

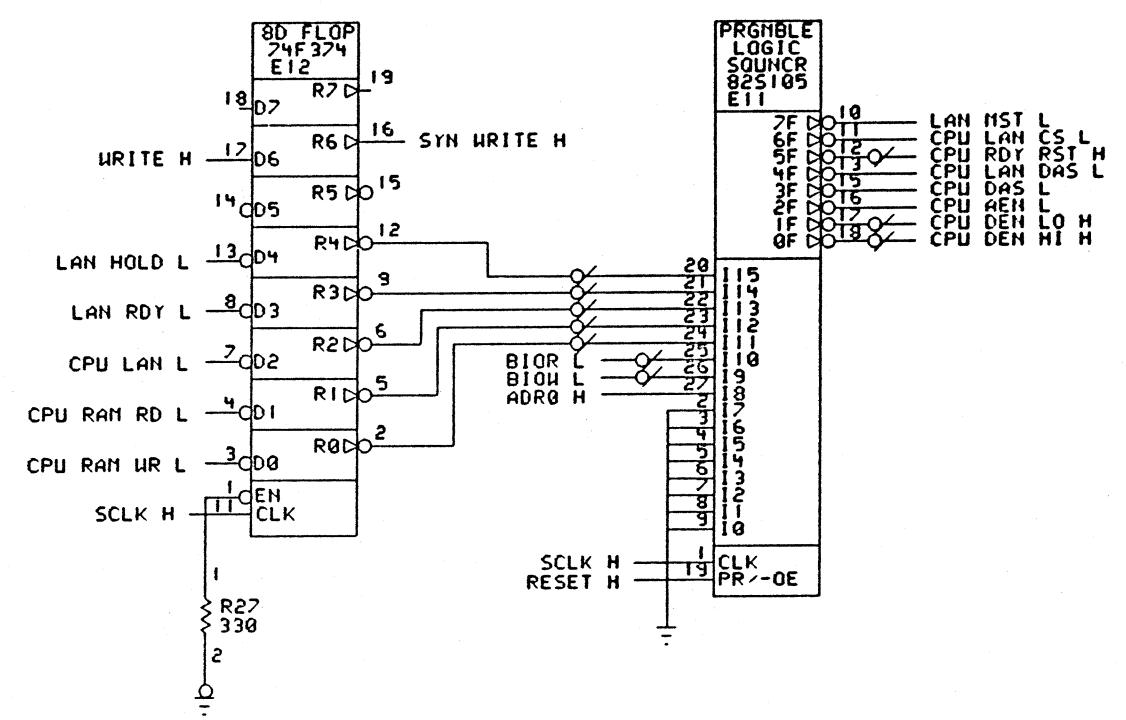
E
1-1
K CS 5416999-0-1
B

THIS DRAWING AND THE SPECIFICATIONS CONTAINED HEREIN ARE CONFIDENTIAL AND PROPRIETARY. THEY ARE THE PROPERTY OF DIGITAL EQUIPMENT CORP. AND SHALL NOT BE REPRODUCED OR COPIED OR USED IN WHOLE OR IN PART AS THE BASIS FOR THE MANUFACTURE OR SALE OF ITEMS WITHOUT WRITTEN PERMISSION. THIS IS AN UNPUBLISHED WORK PROTECTED UNDER THE FEDERAL COPYRIGHT LAWS. COPYRIGHT © DIGITAL EQUIPMENT CORPORATION

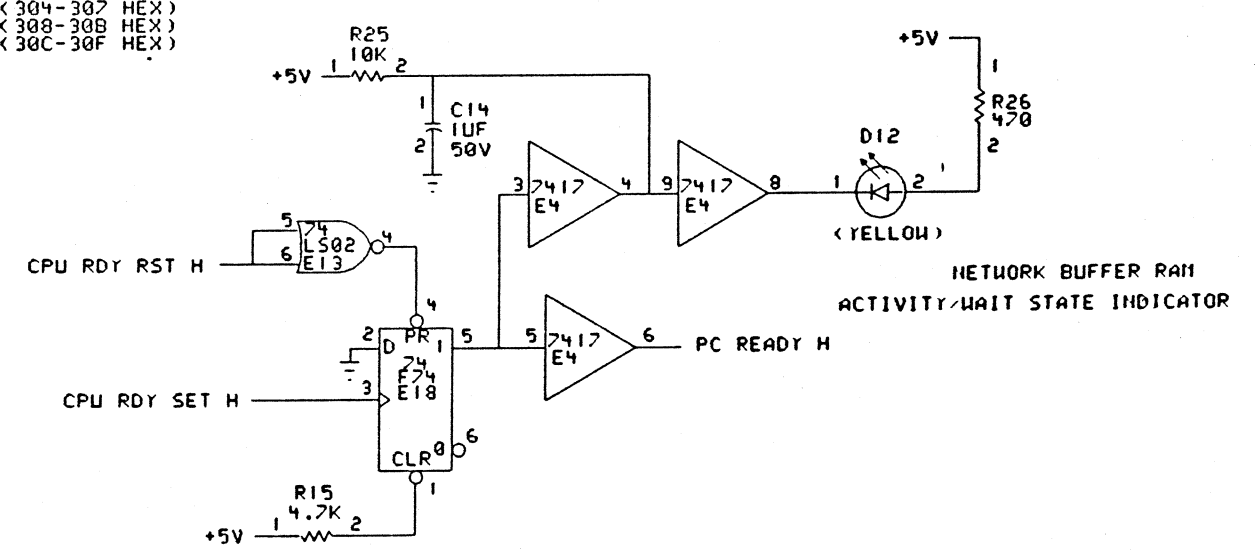
MEM/I/O DECODE



STATE MACHINE



READY LOGIC



ADDRESS DECODE
STATE MACHINE

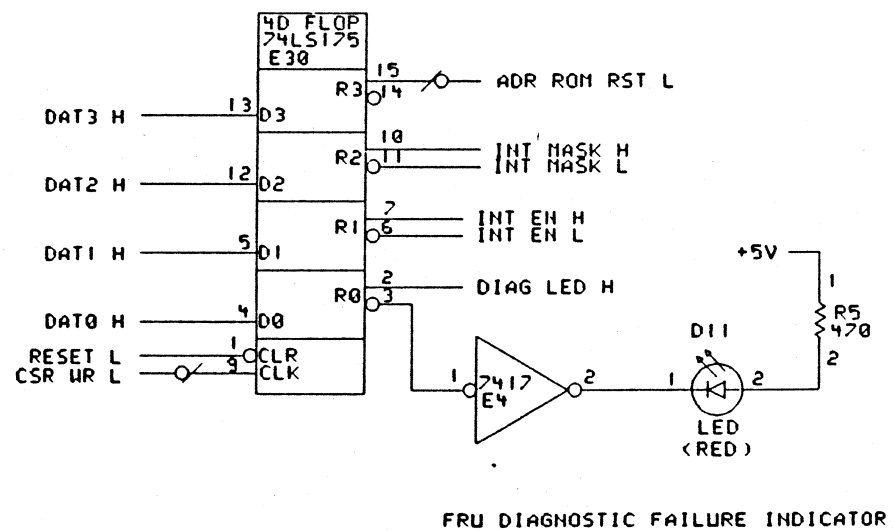
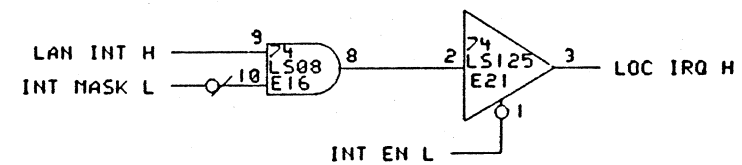
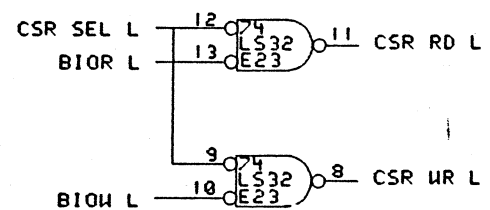
DRAWING

LAST_MODIFIED=Wed Apr 4 15:19:55 1990

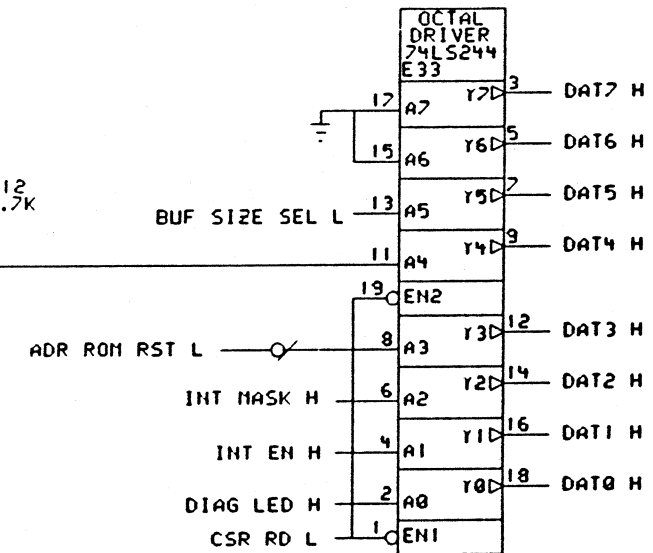
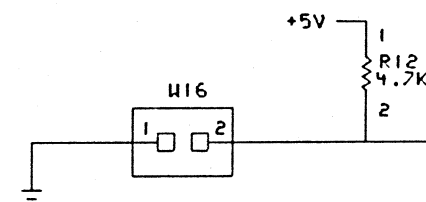
ENG. JEFF LU	DATE 12-06-85 07-07-86	TITLE: DEPCA
BOARD LOCATION:	SHEET 2 OF 10	SIZE CODE K CS
TOP DOCUMENT NUMBER: K-DD-5416999-0-0	NUMBER 5416999-0-1	REV. E

THIS DRAWING AND THE SPECIFICATIONS CONTAINED HEREIN ARE CONFIDENTIAL AND PROPRIETARY. THEY ARE THE PROPERTY OF DIGITAL EQUIPMENT CORP. AND SHALL NOT BE REPRODUCED OR COPIED OR USED IN WHOLE OR IN PART AS THE BASIS FOR THE MANUFACTURE OR SALE OF ITEMS WITHOUT WRITTEN PERMISSION. THIS IS AN UNPUBLISHED WORK PROTECTED UNDER THE FEDERAL COPYRIGHT LAWS. COPYRIGHT © DIGITAL EQUIPMENT CORPORATION

CONTROL STATUS REGISTER (CSR)



REMOTE BOOT ENABLE
(JUMPER PRESENT = DISABLE)



CONTROL STATUS REGISTER

DRAWING
Wed Apr 4 15:09:39 1990

ENR: JEFF LU	DATE: 7-24-86	TITLE: DEPCA
BOARD LOCATION: 3 OF 10		SIZE: K CS
TOP DOCUMENT NUMBER: K-DD-5416999-0-0	NUMBER: 5416999-0-1	REV: E

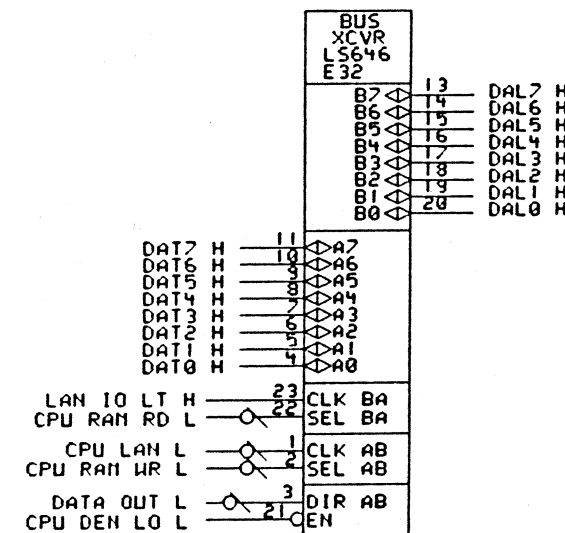
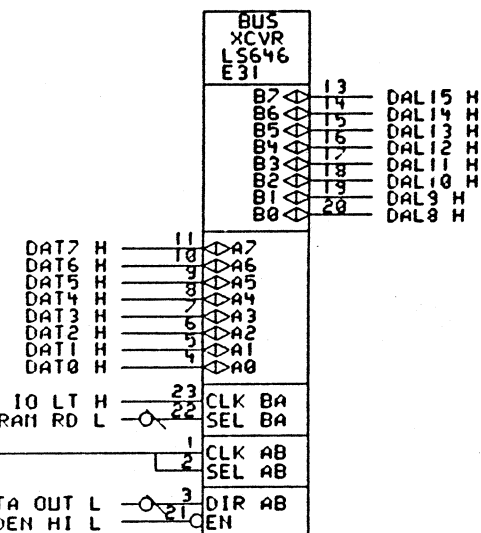
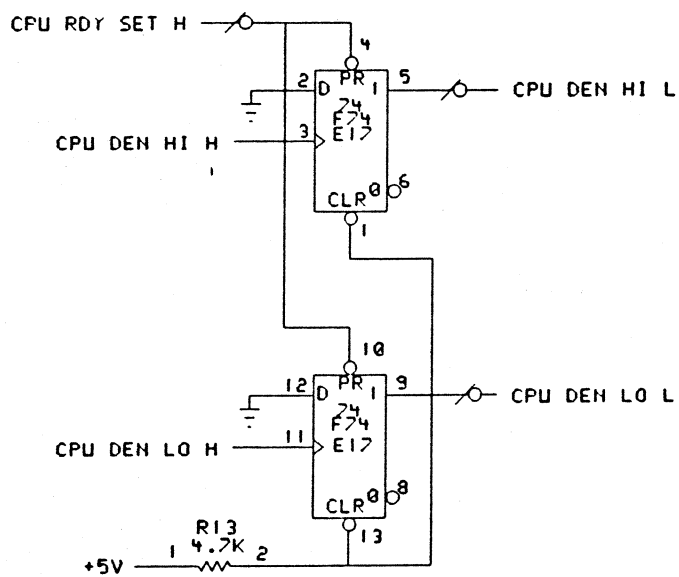
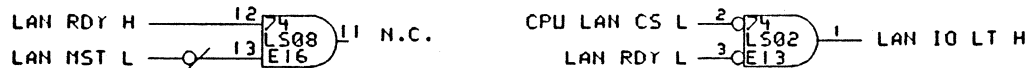
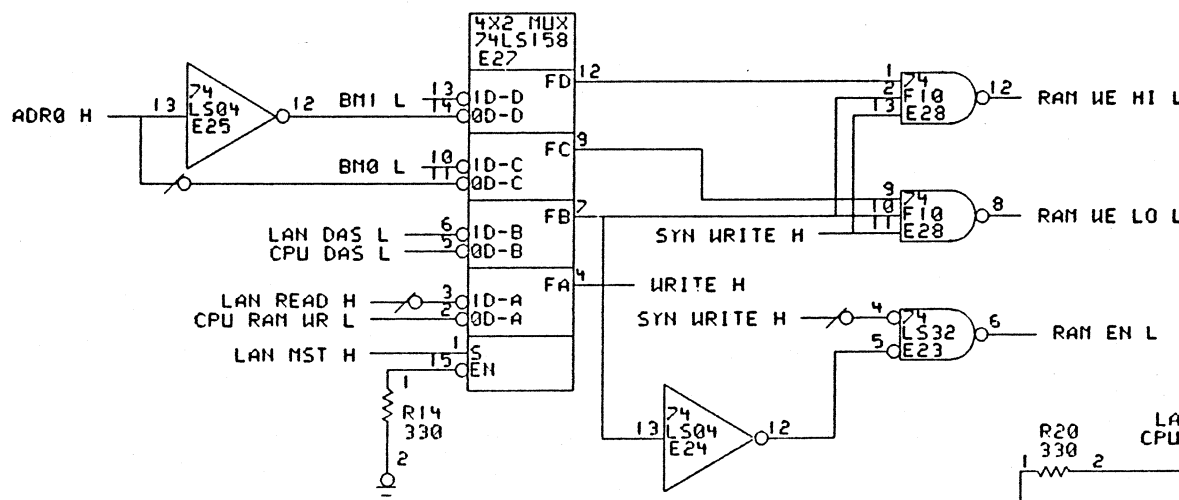
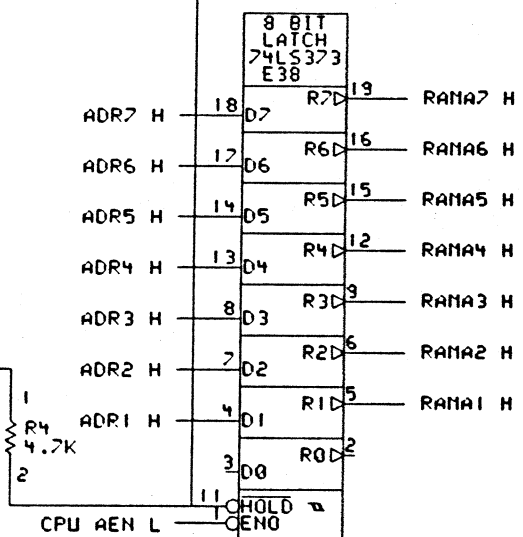
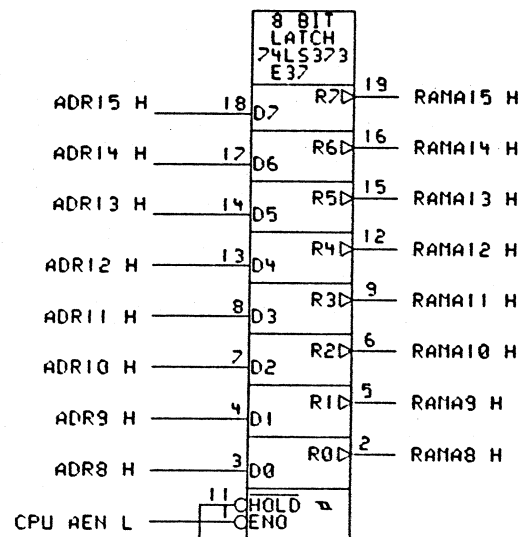
K CS 5416999-0-1 E

THIS DRAWING AND THE SPECIFICATIONS CONTAINED HEREIN ARE CONFIDENTIAL AND PROPRIETARY. THEY ARE THE PROPERTY OF DIGITAL EQUIPMENT CORP. AND SHALL NOT BE REPRODUCED OR COPIED OR USED IN WHOLE OR IN PART AS THE BASIS FOR THE MANUFACTURE OR SALE OF ITEMS WITHOUT WRITTEN PERMISSION. THIS IS AN UNPUBLISHED WORK PROTECTED UNDER THE FEDERAL COPYRIGHT LAWS. COPYRIGHT © DIGITAL EQUIPMENT CORPORATION

RAM CONTROLS

BUS CONVERTER 8/16

ADDRESS BUFFER



DRAWING

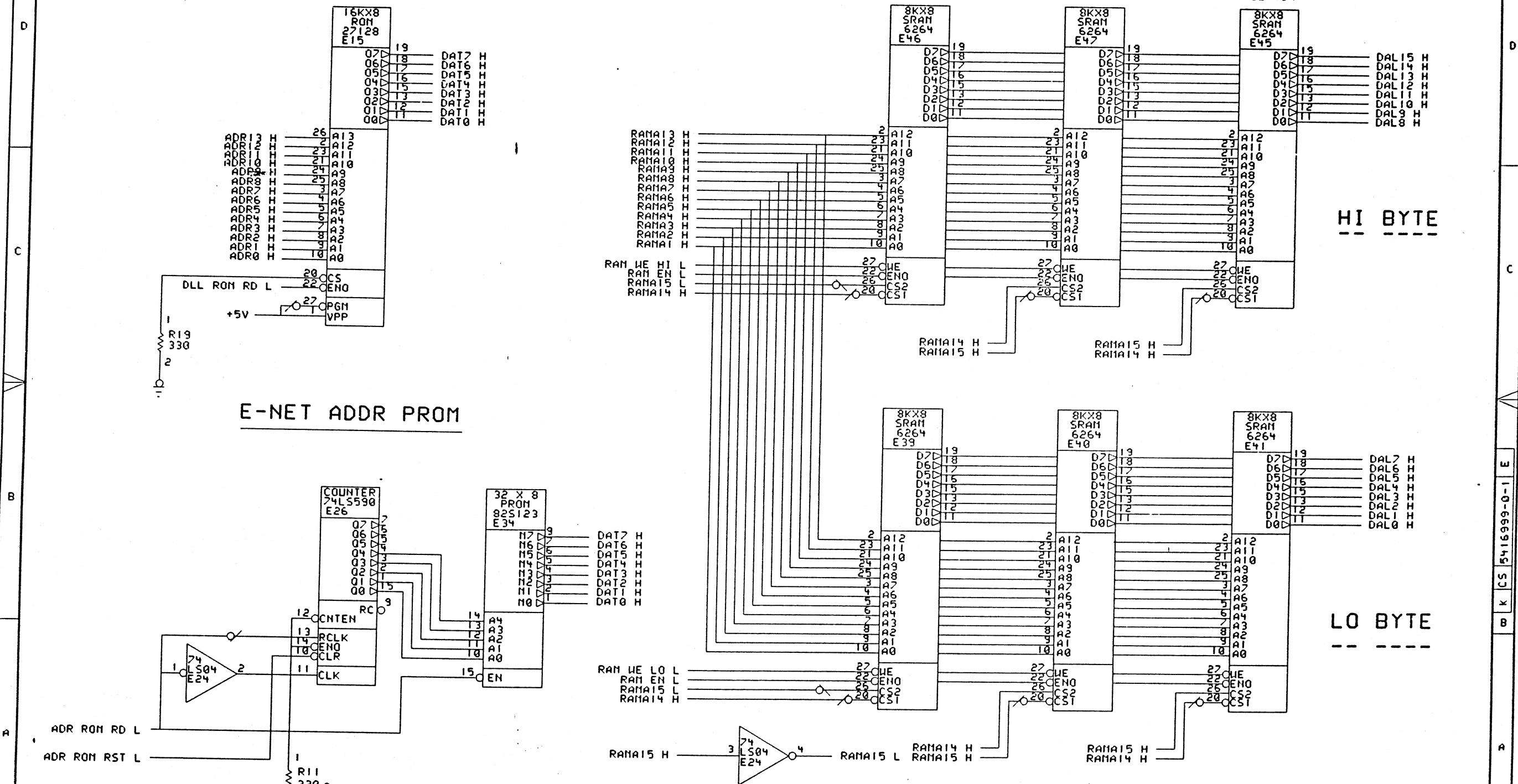
LAST_MODIFIED=Wed Apr 4 15:10:06 1990

ENG. JEFF LU	DATE 7-24-86	TITLE	DEPCA	
BOARD LOCATION:				
SHEET 4 OF 10		SIZE	CODE	NUMBER
TOP DOCUMENT NUMBER: K-DD-5416999-0-0		K	CS	5416999-0-1
				REV. E

THIS DRAWING AND THE SPECIFICATIONS CONTAINED HEREIN ARE CONFIDENTIAL AND PROPRIETARY. THEY ARE THE PROPERTY OF DIGITAL EQUIPMENT CORP. AND SHALL NOT BE REPRODUCED OR COPIED OR USED IN WHOLE OR IN PART AS THE BASIS FOR THE MANUFACTURE OR SALE OF ITEMS WITHOUT WRITTEN PERMISSION. THIS IS AN UNPUBLISHED WORK, PROTECTED UNDER THE FEDERAL COPYRIGHT LAWS. COPYRIGHT © DIGITAL EQUIPMENT CORPORATION

DLL ROM

NETWORK BUFFER RAM



HI BYTE

LO BYTE

DRAWING

LAST_MODIFIED=Wed Apr 4 15:10:26 1990

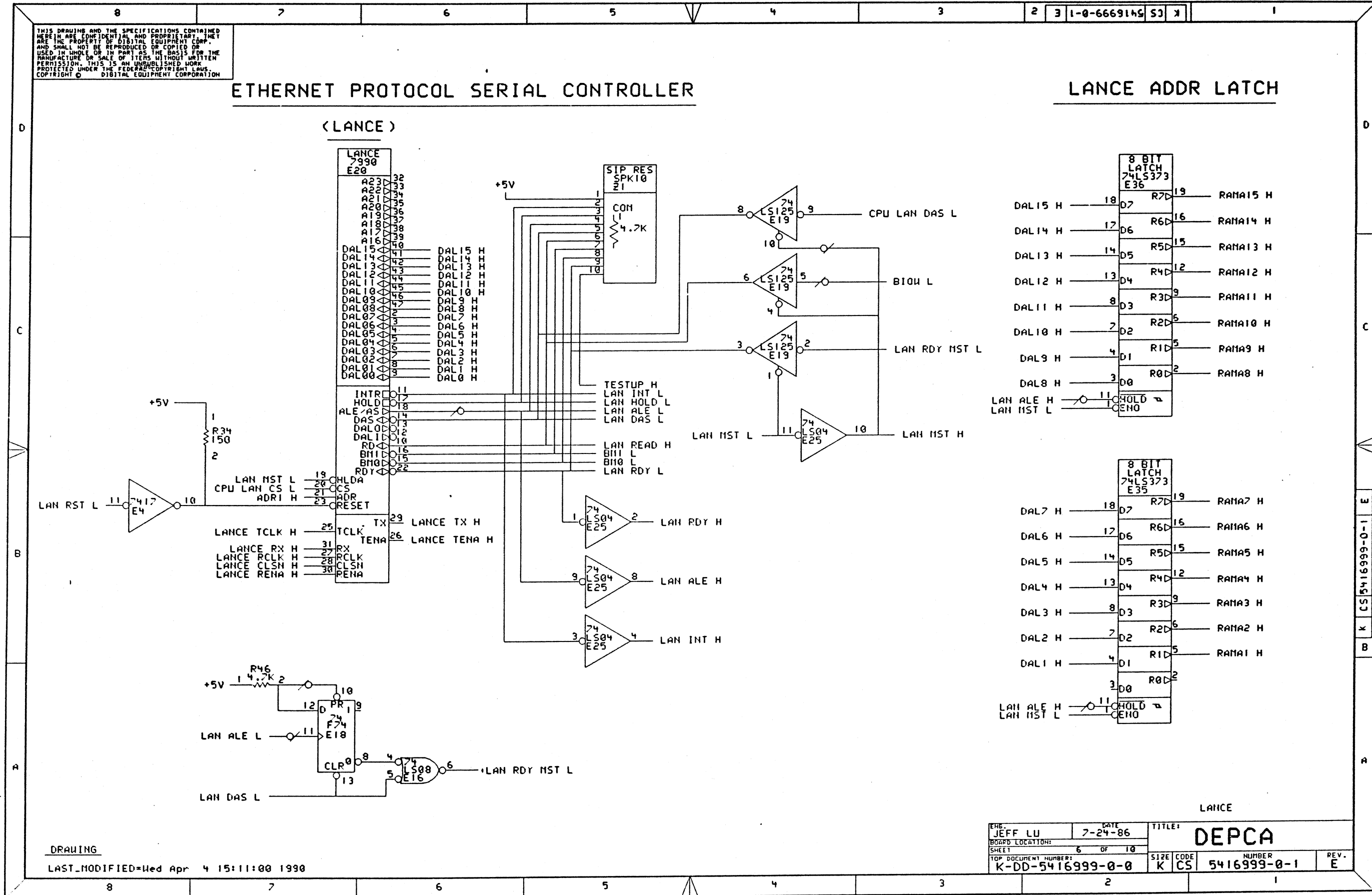
ENG. JEFF LU	DATE 6/2/86	TITLE: DECPA
BOARD LOCATION: 5	OF 10	
TOP DOCUMENT NUMBER: K-DD-5416399-0-0	SIZE CODE K CS	NUMBER 5416399-0-1
		REV. E

E 5416399-0-1 K CS

THIS DRAWING AND THE SPECIFICATIONS CONTAINED HEREIN ARE CONFIDENTIAL AND PROPRIETARY. THEY ARE THE PROPERTY OF DIGITAL EQUIPMENT CORP. AND SHALL NOT BE REPRODUCED OR COPIED OR USED IN WHOLE OR IN PART AS THE BASIS FOR THE MANUFACTURE OR SALE OF ITEMS WITHOUT WRITTEN PERMISSION. THIS IS AN UNPUBLISHED WORK PROTECTED UNDER THE FEDERAL COPYRIGHT LAWS. COPYRIGHT © DIGITAL EQUIPMENT CORPORATION

ETHERNET PROTOCOL SERIAL CONTROLLER

LANCE ADDR LATCH



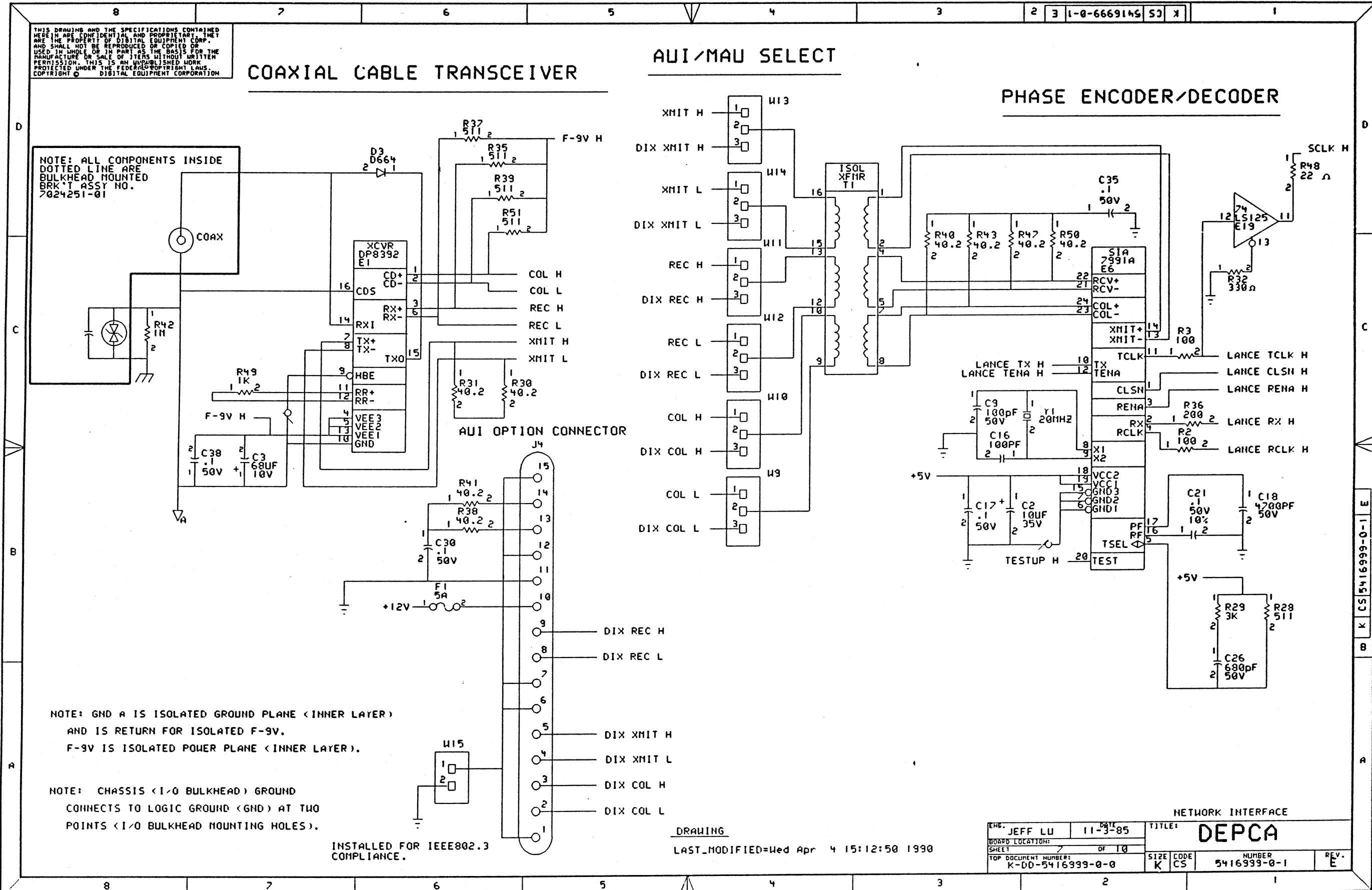
THIS DRAWING AND THE SPECIFICATIONS CONTAINED HEREIN ARE CONFIDENTIAL AND PROPRIETARY. THEY ARE THE PROPERTY OF DIGITAL EQUIPMENT CORP. AND SHALL NOT BE REPRODUCED OR COPIED OR USED IN WHOLE OR IN PART AS THE BASIS FOR THE MANUFACTURE OR SALE OF ANY OTHER EQUIPMENT WITHOUT WRITTEN PERMISSION. THIS IS AN UNPUBLISHED WORK PROTECTED UNDER THE FEDERAL COPYRIGHT LAWS. COPYRIGHT © DIGITAL EQUIPMENT CORPORATION

COAXIAL CABLE TRANSCEIVER

AUI/MAU SELECT

PHASE ENCODER/DECODER

NOTE: ALL COMPONENTS INSIDE DOTTED LINE ARE BULKHEAD MOUNTED BRKT ASSY NO. 7024251-01



NOTE: GND A IS ISOLATED GROUND PLANE (INNER LAYER) AND IS RETURN FOR ISOLATED F-9V. F-9V IS ISOLATED POWER PLANE (INNER LAYER).

NOTE: CHASSIS (I/O BULKHEAD) GROUND CONNECTS TO LOGIC GROUND (GND) AT TWO POINTS (I/O BULKHEAD MOUNTING HOLES).

INSTALLED FOR IEEE802.3 COMPLIANCE.

DRAWING LAST_MODIFIED=Wed Apr 4 15:12:50 1990

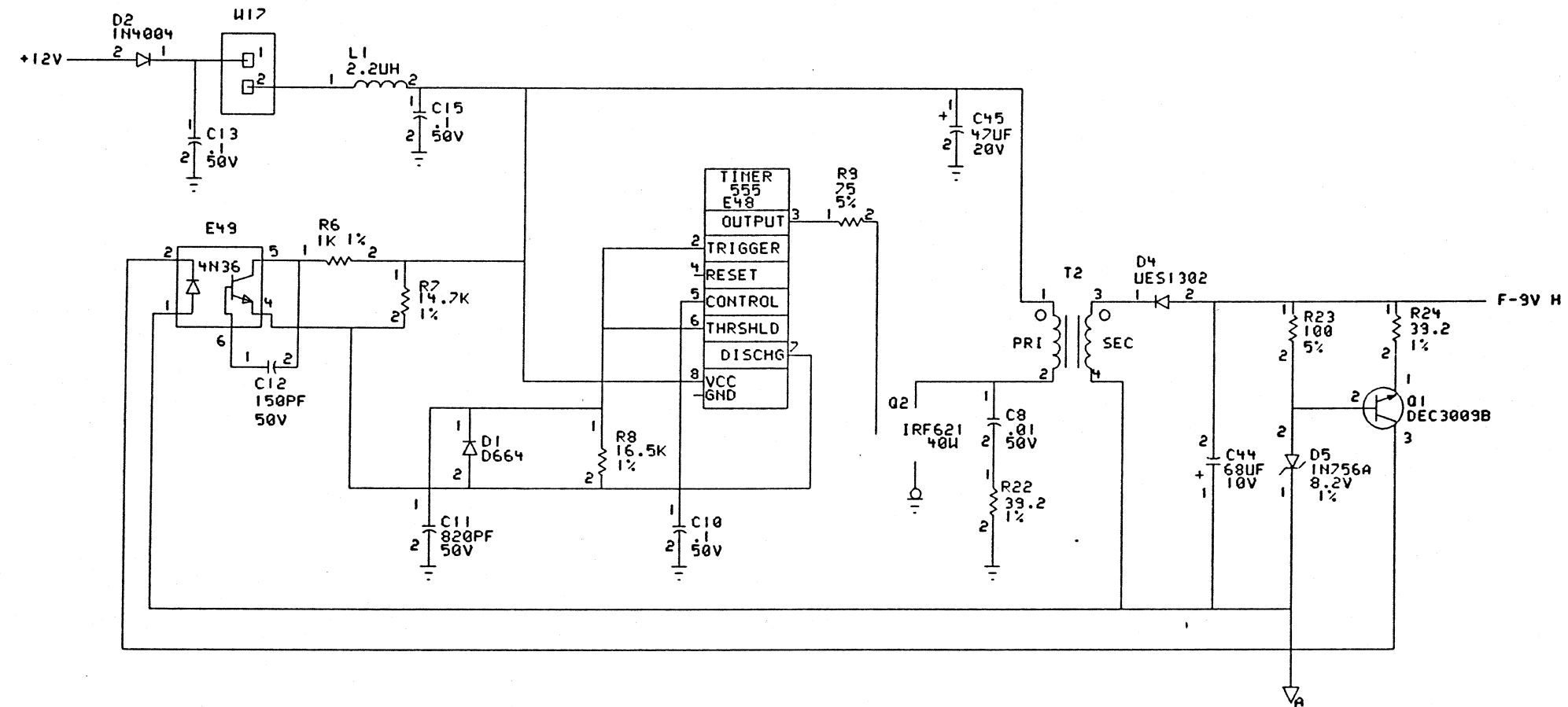
ENR. JEFF LU	DATE 11-3-85	TITLE: DEPCA
BOARD LOCATION:		
SHEET 7	OF 10	
TOP DOCUMENT NUMBER: K-DD-5416999-0-0	SIZE CODE K CS	NUMBER 5416999-0-1
		REV. E

CS 5416999-0-1 E

THIS DRAWING AND THE SPECIFICATIONS CONTAINED HEREIN ARE CONFIDENTIAL AND PROPRIETARY. THEY ARE THE PROPERTY OF DIGITAL EQUIPMENT CORP. AND SHALL NOT BE REPRODUCED OR COPIED OR USED IN WHOLE OR IN PART AS THE BASIS FOR THE MANUFACTURE OR SALE OF ITEMS WITHOUT WRITTEN PERMISSION. THIS IS AN UNPUBLISHED WORK PROTECTED UNDER THE FEDERAL COPYRIGHT LAWS. COPYRIGHT © DIGITAL EQUIPMENT CORPORATION

-9V DC CONVERTOR

NOTE: DC/DC CONVERTER ENABLE
(JUMPER PRESENT=ENABLE)



-9V DC CONVERTOR

DRAWING

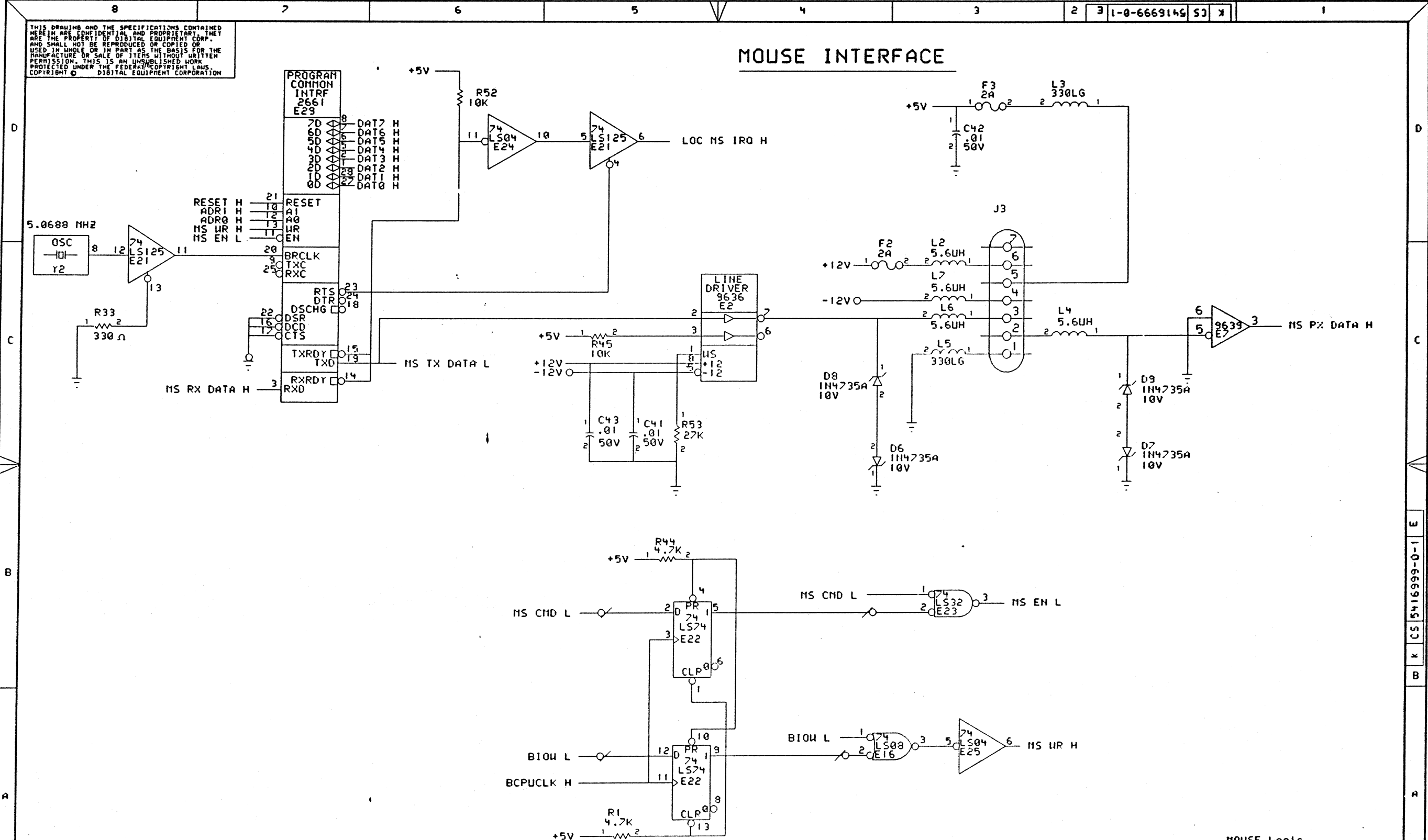
LAST_MODIFIED=Wed Mar 28 13:53:45 1990

ENR.	JEFF LU	DATE	11-3-85	TITLE	DEPCA		
BOARD LOCATION				SIZE	CODE	NUMBER	REV.
SHEET	9	OF	10	K	CS	5416999-0-1	E
TOP DOCUMENT NUMBER	K-DD-5416999-0-0						

B K CS 5416999-0-1 E

THIS DRAWING AND THE SPECIFICATIONS CONTAINED HEREIN ARE CONFIDENTIAL AND PROPRIETARY. THEY ARE THE PROPERTY OF DIGITAL EQUIPMENT CORP. AND SHALL NOT BE REPRODUCED OR COPIED OR USED IN WHOLE OR IN PART AS THE BASIS FOR THE MANUFACTURE OR SALE OF ITEMS WITHOUT WRITTEN PERMISSION. THIS IS AN UNPUBLISHED WORK PROTECTED UNDER THE FEDERAL COPYRIGHT LAWS. COPYRIGHT © DIGITAL EQUIPMENT CORPORATION

MOUSE INTERFACE



MOUSE Logic

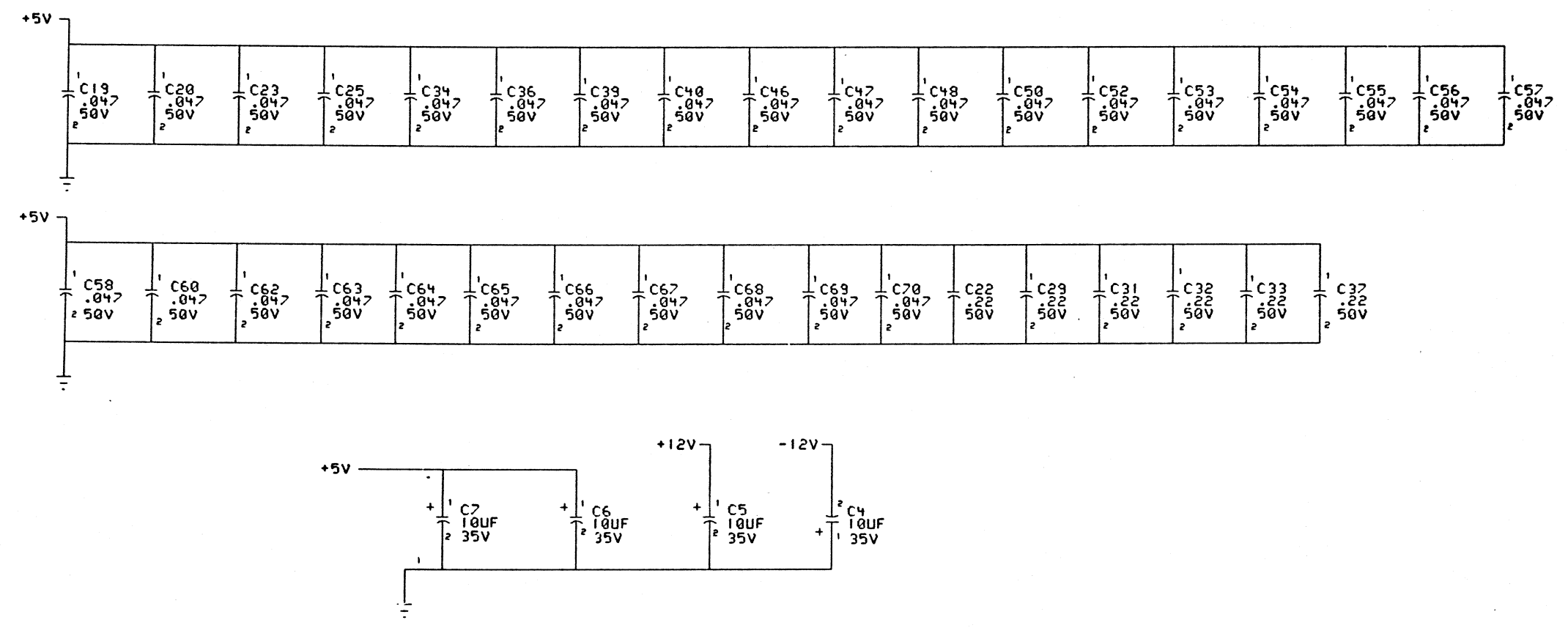
DRAWING
LAST_MODIFIED=Wed Mar 28 13:53:18 1990

ENG. JEFF LU	DATE 7-25-86	TITLE: DEPCA
BOARD LOCATION:	SHEET 3 OF 10	SIZE CODE K CS
TOP DOCUMENT NUMBER: K-DD-5416999-0-0	NUMBER 5416999-0-1	REV. E

K CS 5416999-0-1 E

THIS DRAWING AND THE SPECIFICATIONS CONTAINED HEREIN ARE CONFIDENTIAL AND PROPRIETARY. THEY ARE THE PROPERTY OF DIGITAL EQUIPMENT CORP. AND SHALL NOT BE REPRODUCED OR COPIED OR USED IN WHOLE OR IN PART AS THE BASIS FOR THE MANUFACTURE OR SALE OF ITEMS WITHOUT WRITTEN PERMISSION. THIS IS AN UNPUBLISHED WORK PROTECTED UNDER THE FEDERAL COPYRIGHT LAWS. COPYRIGHT © DIGITAL EQUIPMENT CORPORATION

CAPS



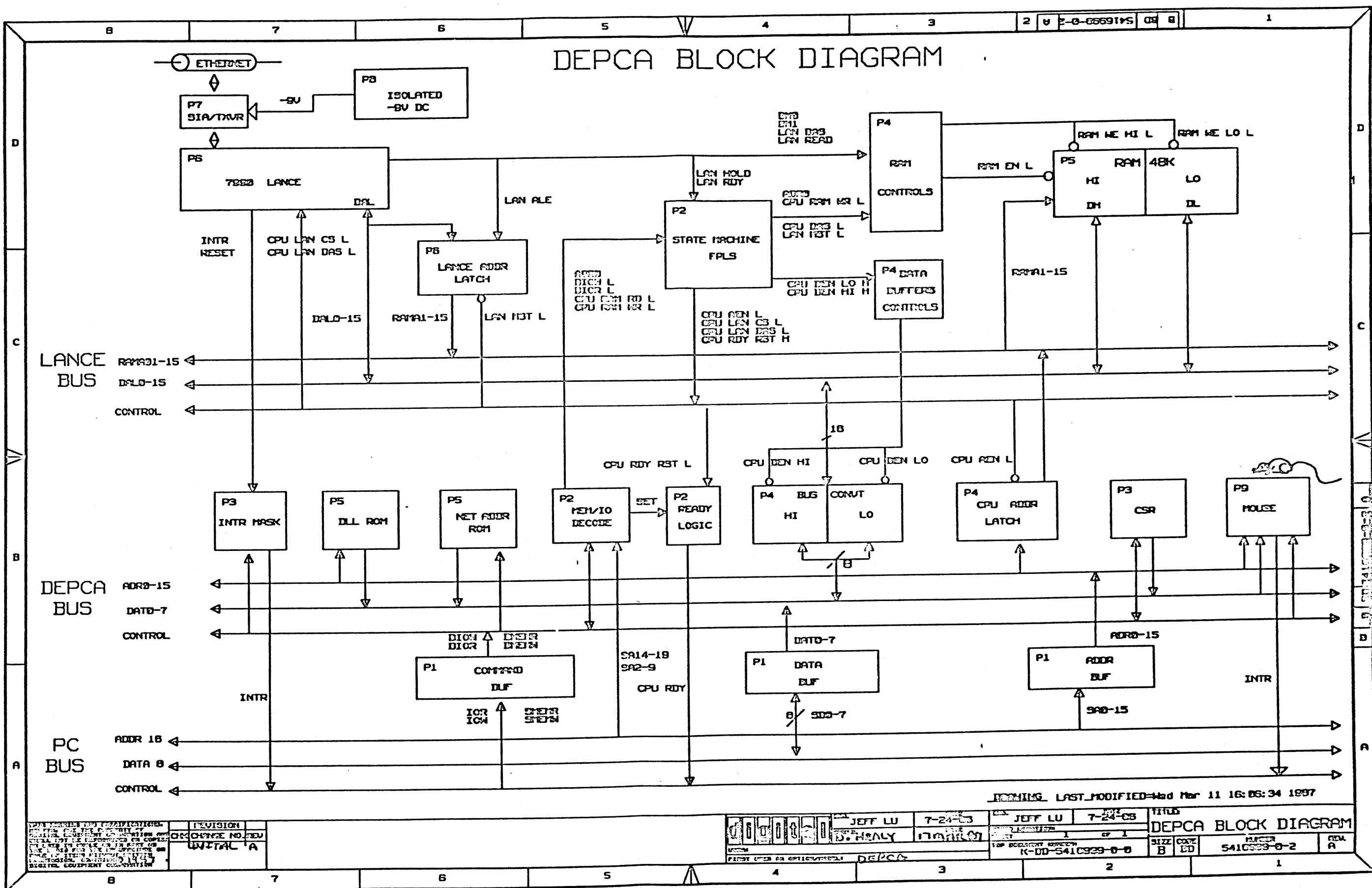
DRAWING
LAST_MODIFIED=Wed Mar 28 14:28:15 1990

CAPS

ENG: JEFF LU	DATE: 7-25-86	TITLE: DEPCA
BOARD LOCATION: 10	OF 10	
SHEET		
TOP DOCUMENT NUMBER: K-00-5416999-0-0	SIZE: K	CODE: CS
	NUMBER: 5416999-0-1	REV: E

CS 5416999-0-1 E

DEPCA BLOCK DIAGRAM



REVISIONS LAST MODIFIED: Wed Mar 11 16:06:34 1997

REVISION 001 INITIAL A	DATE 7-24-83	BY JEFF LU	TITLE DEPCA BLOCK DIAGRAM
PROJECT NO. 5410929-0-2	DRAWING NO. 5410929-0-2	SHEET NO. 1 OF 1	SCALE A

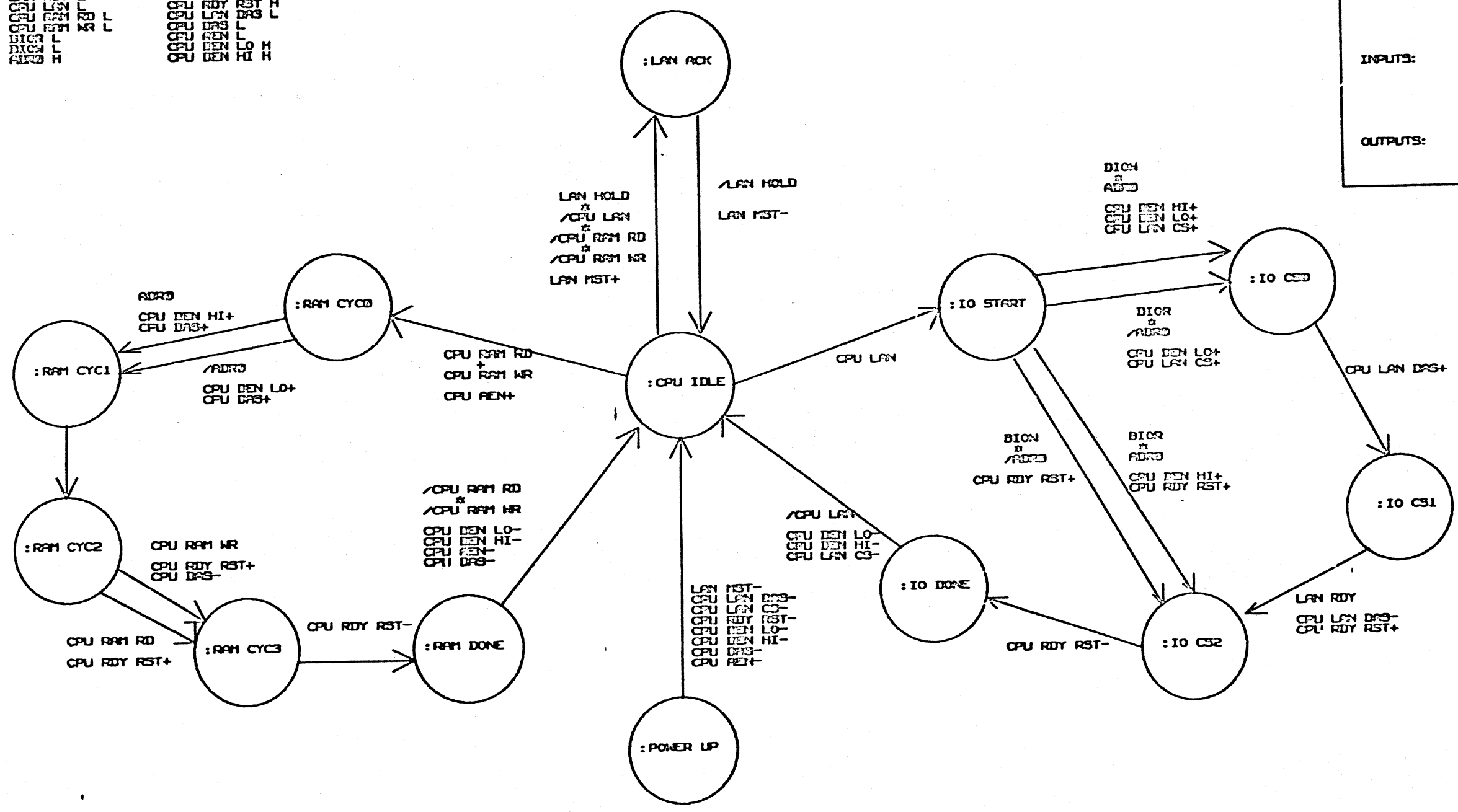
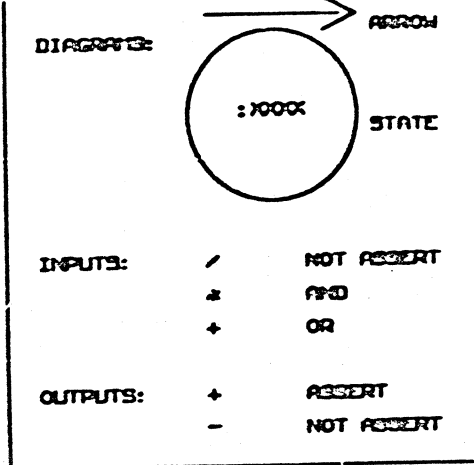
DEPCA STATE DIAGRAM

INPUTS:

LAN HOLD L
CPU LAN L
CPU RAM RD L
CPU RAM WR L
CPU DEN HI+ L
CPU DEN LO+ L
CPU DEN HI- L
CPU DEN LO- L
CPU RST+ L
CPU RST- L

OUTPUTS:

LAN HOLD L
CPU LAN L
CPU RAM RD L
CPU RAM WR L
CPU DEN HI+ H
CPU DEN LO+ H
CPU DEN HI- H
CPU DEN LO- H
CPU RST+ H
CPU RST- H



DRAWING LAST MODIFIED Wed Mar 11 15:28:38 1987

THIS DRAWING AND SPECIFICATIONS ARE THE PROPERTY OF DIGITAL EQUIPMENT CORPORATION AND SHALL NOT BE REPRODUCED OR COPIED IN ANY MANNER OR IN ANY FORM WITHOUT THE WRITTEN PERMISSION OF DIGITAL EQUIPMENT CORPORATION.		REVISION CHANGE NO. REV INITIALS	DATE JEFF LW 5/2/83 D. REEV 11/1/87	TITLE DEPCA STATE DIAGRAM
FIRST USED ON SPECIFICATION DEPCA		SIZE CODE B FD	PART NO. 5410939-0-0	REV. A